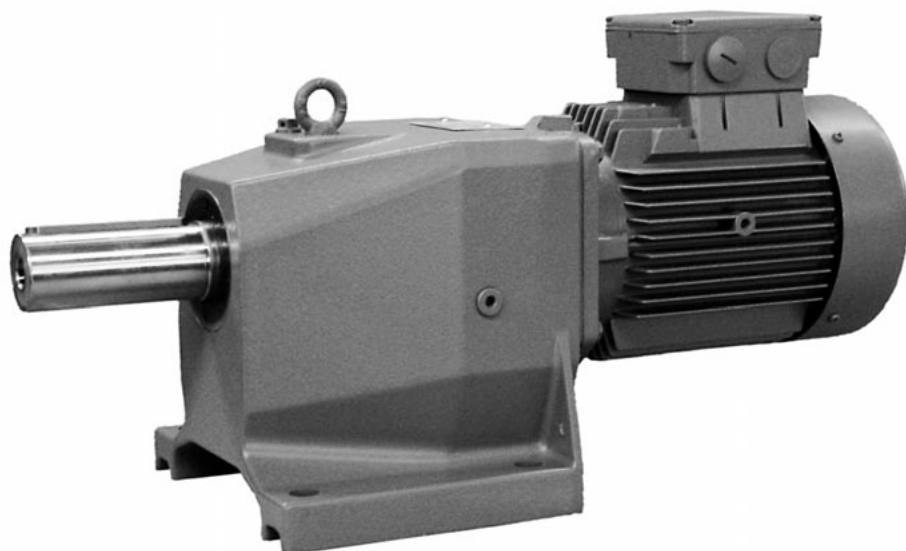


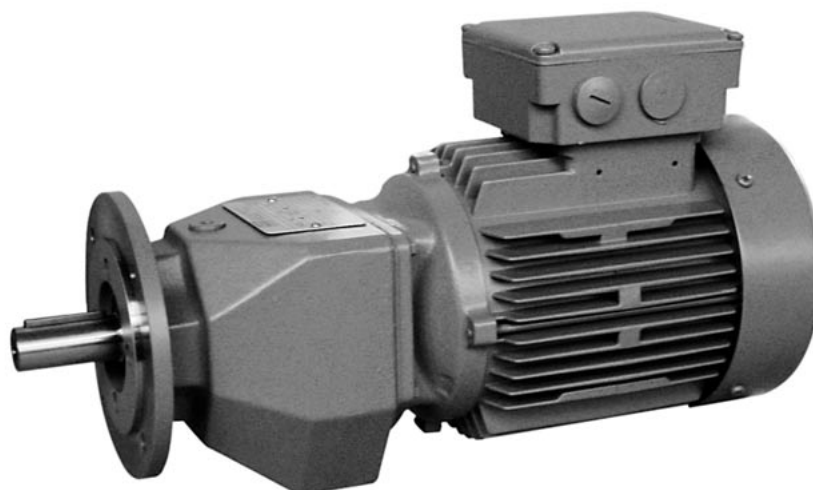
Helical Geared Motors ZG

KEB

ZG3 DA100L4

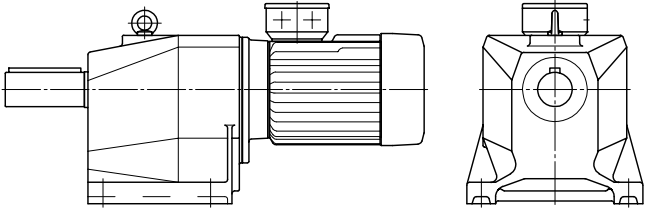


ZG0 DA80K4



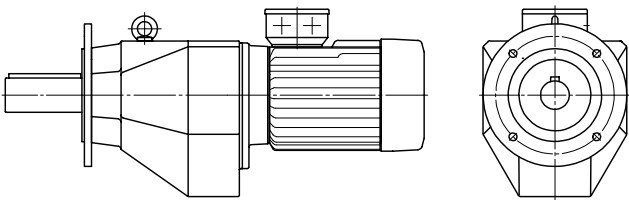
Helical Geared Motors ZG

KEB



Foot mounted version B3

Example: ZG3 DA100LX4, Foot mounted version B3

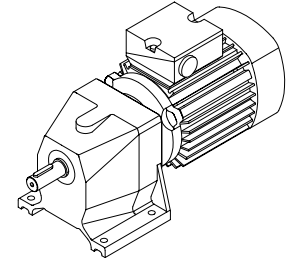


Flange mounted version B5

Example: ZG1 DA80G4, Flange mounted version B5

Helical Geared Motors ZG

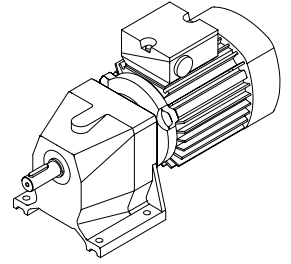
KEB



P	n2	M	cG	i	Fr	Fa	Type	Dimensions	Weight
[kW]	[1/min]	[Nm]			[N]	[N]		Page	[kg]
0.12	2	585	2.0	722.000	14600	17200	ZG4/3 DL63K4	172	65
	2.5	475	2.5	582.67	14600	17500			
	3.15	345	1.5	422.22	9200	10700	ZG3/3 DL63K4	171	36
	4	285	1.8	351.85	9200	10900			
	5	220	2.3	270.65	9200	11100			
	6.3	181	1.4	222.22	5500	7170	ZG2/3 DL63K4	170	24
	8	141	1.8	173.74	5500	7350			
	10	115	2.2	141.41	5500	7470			
	12.5	85	3.0	105.05	5500	7610			
	16	68	1.7	54.83	4250	5420	ZG1 DL63G6	169	15
	20	54	1.1	66.35	2700	2930	ZG0 DL63K4	168	12
	25	43	1.5	53.06	2570	2990			
	31.5	35	1.8	42.67	2440	3050			
	40	29	2.2	35.56	2330	3090			
	50	22	2.8	27.35	2170	3130			
63	17	3.6	21.06	2030	3170				
80	14	4.4	17.28	1920	3190				
100	11	5.6	13.67	1790	3200				
125	9.2	6.8	11.28	1690	3220				
160	7.0	8.9	8.59	1560	3230				
200	5.5	11.3	6.73	1440	3240				
250	4.2	14.9	5.13	1330	2980				
315	3.8	16.6	4.66	1290	2840				
400	2.7	23.1	3.36	1160	2440				
0.18	2	880	1.4	722.000	14600	16300	ZG4/3 DL63G4	172	65
	2.5	710	1.7	582.67	14600	16800			
	3.15	525	2.2	429.47	14600	17400			
	4	430	1.2	351.85	9200	10300	ZG3/3 DL63G4	171	36
	5	330	1.5	270.65	9200	10700			
	6.3	260	2.2	212.33	9200	11000			
	8	210	1.2	173.74	5500	7020	ZG2/3 DL63G4	170	24
	10	172	1.5	141.41	5500	7200			
	12.5	128	2.0	105.05	5500	7410			
	16	102	1.1	54.83	4250	5230	ZG1 DL71K6	169	15
	20	83	1.4	67.94	4250	5330	ZG1 DL63G4	169	15
	25	67	1.8	54.83	4250	5420			
	31.5	52	1.2	42.67	2270	2940	ZG0 DL63G4	168	12
	40	43	1.5	35.56	2190	2990			
	50	33	1.9	27.35	2070	3060			
63	26	2.4	21.06	1950	3110				
80	21	2.9	17.28	1850	3140				
100	17	3.7	13.67	1740	3170				
125	14	4.5	11.28	1650	3190				
160	10	5.9	8.59	1520	3210				
200	8.2	7.6	6.73	1420	3220				
250	6.3	9.9	5.13	1310	2930				
315	5.7	11.1	4.66	1270	2800				
400	4.1	15.4	3.36	1150	2410				

Helical Geared Motors ZG

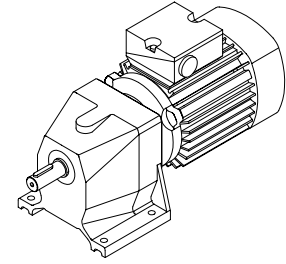
KEB



P	n ₂	M	c _G	i	Fr	Fa	Type	Dimensions	Weight
[kW]	[1/min]	[Nm]			[N]	[N]		Page	[kg]
0.25	2.5	1000	1.2	582.67	14600	15900	ZG4/3 DL71K4	172	65
	3.15	740	1.6	429.47	14600	16700			
	4	575	2.0	333.41	14600	17200			
	5	470	2.5	271.25	14600	17500			
	6.3	365	1.6	212.33	9200	10600	ZG3/3 DL71K4	171	36
	8	300	1.9	174.200	9200	10800			
	10	240	2.4	137.800	9200	11100			
	12.5	181	1.4	105.05	5500	7160	ZG2/3 DL71K4	170	24
	16	139	1.8	80.81	5500	7360			
	20	117	1.0	67.94	4250	5140	ZG1 DL71K4	169	15
	25	95	1.2	54.83	4250	5270			
	31.5	78	1.5	45.29	4250	5360			
	40	61	1.9	35.16	4250	5460			
	50	49	2.4	28.61	4090	5520			
	63	36	1.7	21.06	1860	3040			
	80	30	2.1	17.28	1780	3080			
	100	24	2.6	13.67	1680	3120			
	125	19	3.2	11.28	1600	3150			
	160	15	4.2	8.59	1490	3180			
200	12	5.3	6.73	1400	3200				
250	8.8	7.0	5.13	1290	2910				
315	8.0	7.8	4.66	1250	2780				
400	5.8	10.9	3.36	1140	2400				
0.37	4	855	1.4	333.41	14600	16300	ZG4/3 DL71G4	172	66
	5	695	1.7	271.25	14600	16800			
	6.3	555	2.1	217.14	14600	17300			
	8	445	1.3	174.200	9200	10300	ZG3/3 DL71G4	171	37
	10	355	1.6	137.800	9200	10600			
	12.5	290	2.0	113.750	9200	10900			
	16	205	1.2	80.81	5500	7040	ZG2/3 DL71G4	170	24
	20	177	1.4	69.09	5500	7180	ZG2 DL71G4	170	22
	25	147	1.7	57.58	5500	7320			
	31.5	116	1.0	45.29	4250	5150	ZG1 DL71G4	169	16
	40	90	1.3	35.16	4090	5290			
	50	73	1.6	28.61	3900	5390			
	63	54	1.1	21.06	1700	2930	ZG0 DL71G4	168	12
	80	44	1.4	17.28	1650	2990			
	100	35	1.8	13.67	1580	3050			
	125	29	2.1	11.28	1520	3090			
	160	22	2.8	8.59	1430	3130			
	200	17	3.6	6.73	1340	3160			
	250	13	4.7	5.13	1250	2830			
315	12	5.3	4.66	1220	2710				
400	8.6	7.3	3.36	1110	2350				
0.55	4	1360	1.7	359.33	27000	31400			
	5	1000	2.3	264.11	27000	29500			

Helical Geared Motors ZG

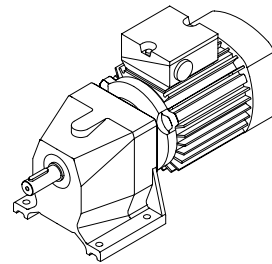
KEB



P	n2	M	cG	i	Fr	Fa	Type	Dimensions	Weight
[kW]	[1/min]	[Nm]			[N]	[N]		Page	[kg]
0.55	6.3	820	1.5	217.14	14600	16500	ZG4/3 DA80K4	172	64
	8	665	1.8	176.43	14600	16900			
	10	555	2.1	147.25	14600	17300			
	16	325	1.7	86.61	9200	10700	ZG3/3 DA80K4	171	38
	20	260	0.9	69.09	5500	6790	ZG2 DA80K4	170	24
	25	220	1.2	57.58	5500	6990			
	31.5	169	1.5	44.85	5300	7220			
	40	137	1.9	36.36	5080	7370			
	50	101	2.5	26.73	4740	7530			
	63	77	1.5	20.43	3380	5360	ZG1 DA80K4	169	18
	80	63	1.9	16.60	3230	5450			
	100	52	1.2	13.67	1420	2940	ZG0 DA80K4	168	15
	125	43	1.5	11.28	1380	3000			
	160	32	1.9	8.59	1320	3070			
	200	25	2.4	6.73	1260	3010			
	250	19	3.2	5.13	1190	2690			
	315	18	3.6	4.66	1160	2580			
	400	13	5.0	3.36	1070	2270			
	0.75	4	1830	1.2	359.33	27000			
5		1340	1.7	264.11	27000	28100			
6.3		1080	2.1	213.03	27000	27000			
8		895	1.3	176.43	14600	16200	ZG4/3 DA80G4	172	66
10		750	1.6	147.25	14600	16700			
12.5		570	2.1	112.03	14600	17200			
16		440	1.3	86.61	9200	10300	ZG3/3 DA80G4	171	40
20		355	1.2	69.60	9200	10600	ZG3 DA80G4	171	37
25		275	1.8	54.60	8910	10900			
31.5		230	1.1	44.85	4890	6950	ZG2 DA80G4	170	26
40		185	1.4	36.36	4740	7150			
50		136	1.9	26.73	4480	7370			
63		104	1.1	20.43	3150	5210	ZG1 DA80G4	169	21
80		84	1.4	16.60	3040	5320			
100		70	1.7	13.86	2930	5400			
125		57	1.1	11.28	1240	2910	ZG0 DA80G4	168	17
160		44	1.4	8.59	1210	3000			
200		34	1.8	6.73	1170	2800			
250		26	2.4	5.13	1120	2540			
315		24	2.7	4.66	1100	2450			
400	17	3.7	3.36	1020	2180				
1.1	8	1360	1.7	179.67	27000	24600			
	10	1020	2.2	134.75	27000	23400			
	12.5	845	1.4	112.03	14600	16400	ZG4/3 DA90S4	172	68
	16	670	1.8	88.67	14600	16900			

Helical Geared Motors ZG

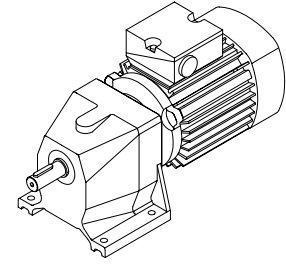
KEB



P	n ₂	M	c _G	i	Fr	Fa	Type	Dimensions	Weight	
[kW]	[1/min]	[Nm]			[N]	[N]		Page	[kg]	
1.1	20	525	0.8	69.60	8550	9970	ZG3 DA90S4	171	38	
	25	415	1.2	54.60	8260	10400				
	31.5	335	1.5	44.40	7970	10700				
	40	250	2.0	32.94	7500	11000				
	50	210	2.4	28.08	7230	11200				
	63	163	1.6	21.56	3950	7250	ZG2 DA90S4	170	27	
	80	137	1.9	18.18	3850	7370				
	100	105	1.1	13.86	2670	5210	ZG1 DA90S4	169	22	
	125	80	1.5	10.54	2570	5350				
	160	63	1.9	8.34	2460	5440				
	200	51	2.3	6.79	2360	5390				
	250	38	3.1	5.06	2210	4760				
	315	34	3.5	4.56	2150	4550				
	400	26	4.8	3.38	1990	4050				
	1.5	8	1830	1.2	179.67	27000	22900	ZG5/3 DA90L4	173	11
		10	1370	1.6	134.75	27000	22100			
12.5		1160	1.9	113.79	27000	21500				
16		905	1.3	88.67	14600	16200	ZG4/3 DA90L4	172	70	
20		710	1.3	69.60	14500	16800	ZG4 DA90L4	172	66	
25		580	1.7	57.00	13900	17200				
31.5		455	1.1	44.40	7320	10300	ZG3 DA90L4	171	41	
40		335	1.5	32.94	7010	10700				
50		285	1.8	28.08	6820	10900				
63		220	1.2	21.56	3560	6980	ZG2 DA90L4	170	30	
80		185	1.4	18.18	3510	7140				
100		139	1.8	13.64	3380	7360				
125		107	1.1	10.54	2330	5190	ZG1 DA90L4	169	24	
160		85	1.4	8.34	2270	5320				
200		69	1.7	6.79	2200	5030				
250		52	2.3	5.06	2090	4510				
315	46	2.6	4.56	2040	4330					
350	34	3.5	3.38	1910	3890					
400	34	3.5	3.38	1910	3890					
2.2	12.5	1720	1.3	113.79	27000	19700	ZG5/3 DA100L4	173	113	
	16	1350	1.7	89.14	27000	19100				
	20	1050	0.8	69.60	13200	15800	ZG4 DA100L4	172	67	
	25	860	1.2	57.00	12900	16300				
	31.5	645	1.6	42.66	12200	17000				
	40	545	1.9	36.18	11800	17300				
	50	440	2.3	29.25	11300	17600				
	63	345	1.5	22.73	5980	10700	ZG3 DA100L4	171	42	
	80	260	1.9	17.10	5720	11000				

Helical Geared Motors ZG

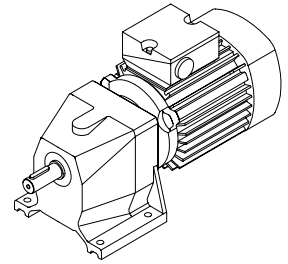
KEB



P	n2	M	cG	i	Fr	Fa	Type	Dimensions	Weight
[kW]	[1/min]	[Nm]			[N]	[N]		Page	[kg]
2.2	100	205	1.2	13.64	2950	7050	ZG2 DA100L4	170	31
	125	174	1.5	11.52	2930	7190			
	160	136	1.9	9.02	2860	6640			
	200	107	2.4	7.09	2760	6120			
	250	80	3.2	5.30	2620	5550			
	315	72	3.5	4.78	2560	5340			
	400	54	4.8	3.56	2400	4830			
3.0	16	1810	1.2	89.14	27000	17400	ZG5/3 DA100LX4	173	120
	20	1470	1.2	72.11	27000	17200	ZG5 DA100LX4	173	112
	25	1100	1.8	53.90	27000	16600			
	31.5	865	1.2	42.66	11300	16300	ZG4 DA100LX4	172	74
	40	735	1.4	36.18	11000	16700			
	50	595	1.7	29.25	10600	17200			
	63	460	1.1	22.73	5330	10200	ZG3 DA100LX4	171	49
	80	345	1.4	17.10	5230	10700			
	100	270	1.9	13.28	5060	11000			
	125	235	1.1	11.52	2510	6220	ZG2 DA100LX4	170	38
	160	183	1.4	9.02	2530	5920			
	200	144	1.8	7.09	2500	5580			
	250	108	2.4	5.30	2430	5160			
315	97	2.6	4.78	2380	4990				
400	72	3.5	3.56	2260	4570				
4.0	20	1970	0.9	72.11	27000	15500			
	25	1470	1.3	53.90	27000	15300			
	31.5	1260	1.5	46.20	27000	15100			
	40	1030	1.9	37.58	27000	14800			
	50	790	2.4	28.97	27000	14200			
	63	620	1.6	22.73	9490	17100	ZG4 DA112M4	172	79
	80	490	2.1	18.00	9100	17500			
	100	360	1.4	13.28	4590	10600	ZG3 DA112M4	171	54
	125	315	1.6	11.63	4550	10400			
	160	235	2.2	8.55	4380	9420			
	200	190	2.6	6.97	4240	8800			
	250	143	3.5	5.25	4010	8000			
	315	128	4.1	4.68	3900	7670			
	400	96	5.0	3.53	3660	6970			
	5.5	31.5	1690	1.1	46.20	27000	13500	ZG5 DA132S4	173
40		1370	1.4	37.58	27000	13400			
50		1060	1.8	28.97	26500	13100			
63		830	1.2	22.73	8570	16400	ZG4 DA132S4	172	95
80		655	1.6	18.00	8360	17000			
100		510	2.0	14.04	8050	17400			

Helical Geared Motors ZG

KEB



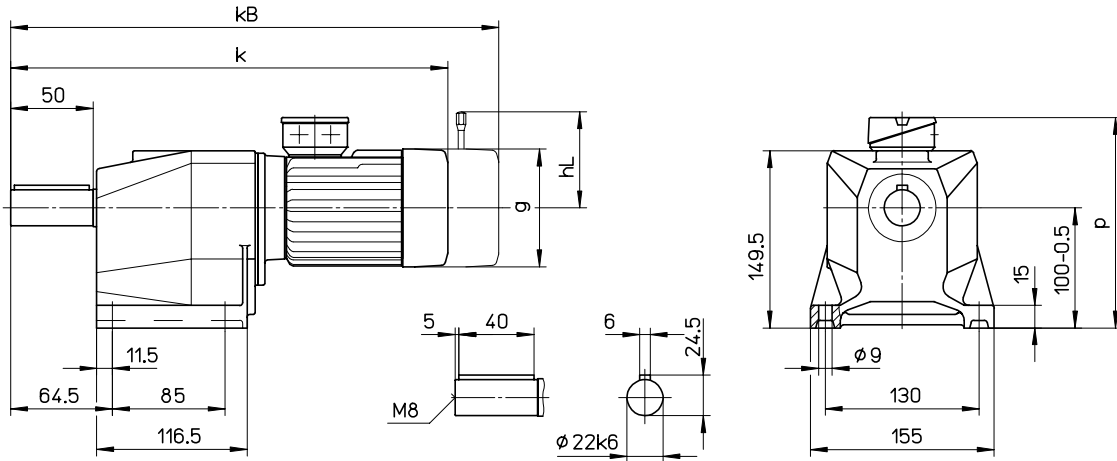
P	n2	M	cG	i	Fr	Fa	Type	Dimensions	Weight	
[kW]	[1/min]	[Nm]			[N]	[N]		Page	[kg]	
5.5	125	425	1.2	11.63	3930	9000	ZG3 DA132S4	171	70	
	160	310	1.6	8.55	3920	8430				
	200	255	2.0	6.97	3860	8010				
	250	191	2.6	5.25	3710	7420				
	315	171	3.1	4.68	3630	7150				
	400	129	3.7	3.53	3450	6570				
	7.5	63	1080	1.8	21.75	23600				11700
80		910	2.1	18.26	23200	11500				
100		700	1.5	14.04	7330	16400	ZG4 DA132M4	172	99	
125		595	1.7	11.93	7200	15600				
160		430	2.4	8.64	6870	14000				
200		350	3.0	6.99	6610	13100				
250		285	3.6	5.68	6330	12200				
315		250	4.3	5.07	6160	11700				
400		185	5.6	3.72	5720	10500				
11.0		63	1560	1.2	21.75	20200				9970
		80	1310	1.5	18.26	20300	10000			
		100	1030	1.9	14.40	20200	9990			
		125	855	1.2	11.93	6130	13200	ZG4 DA160M4	172	121
		160	620	1.7	8.64	6080	12400			
	200	500	2.1	6.99	5960	11800				
	250	410	2.5	5.68	5800	11200				
	315	365	3.0	5.07	5680	10800				
	400	265	3.9	3.72	5360	9880				
	15.0	100	1410	1.4	14.40	17600	8710			
		125	1150	1.7	11.73	17800	8790			
		160	870	2.2	8.91	17600	8730			
		200	700	2.7	7.17	17300	8570			
		250	565	3.4	5.80	16800	8350			
315		505	4.0	5.17	16500	8180				
400		370	5.3	3.77	15600	7760				
18.5		125	1420	1.4	11.73	16000	7880	ZG5 DA180M4	173	204
	160	1070	1.8	8.91	16300	8040				
	200	865	2.2	7.17	16200	8010				
	250	700	2.8	5.80	16000	7900				
	315	625	3.2	5.17	15700	7770				
	400	455	4.3	3.77	15100	7460				

Helical Geared Motors ZG



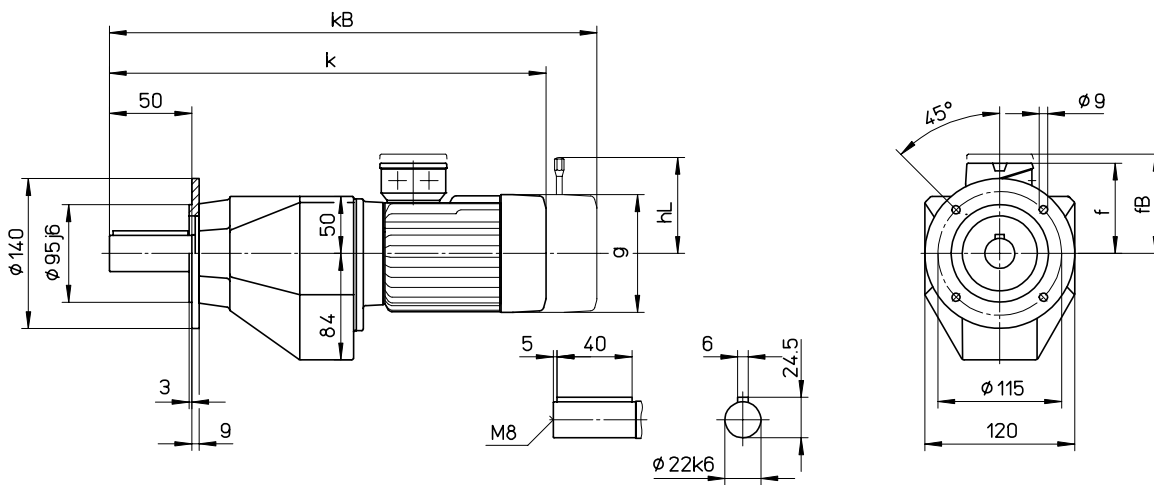
ZG0

Foot mounted version



ZG0

B5 Flange mounted version



	k	kB	g	p	f	hL
ZG0 DL63/71	368	420	126	213	113	106
ZG0 DA80	417	488	158	235	135	128

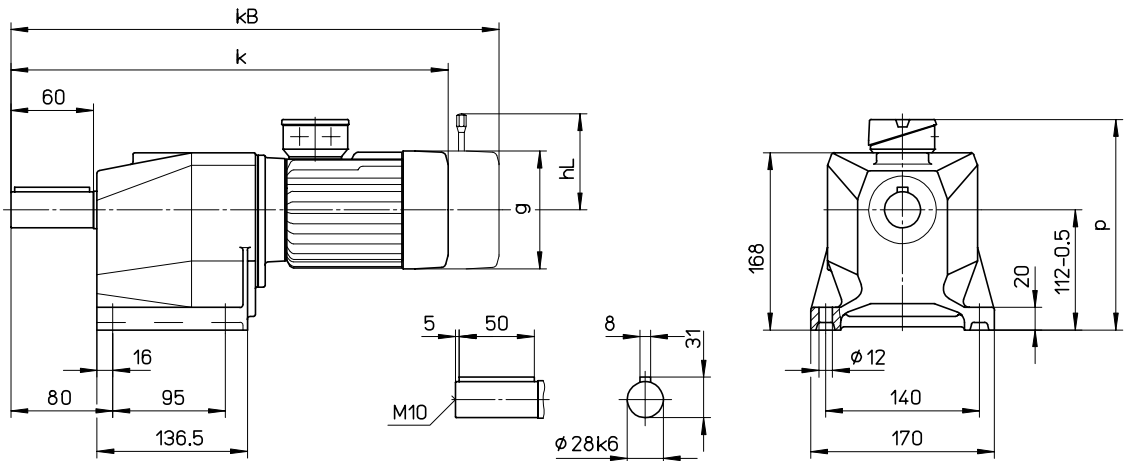
Dimensions kB and hL apply to geared motors with brake.

Helical Geared Motors ZG



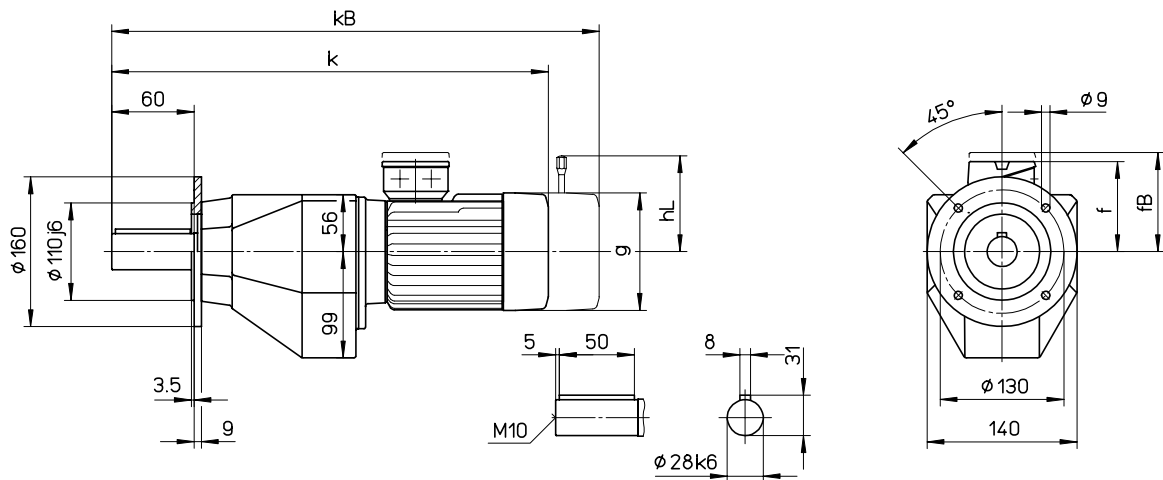
ZG1

Foot mounted version



ZG1

B5 Flange mounted version



	k	kB	g	p	f	hL
ZG1 DL63/71	399	451	126	225	113	106
ZG1 DA80	447	518	158	247	135	128
ZG1 DA90S	447	518	158	247	135	128
ZG1 DA90L	494	559	176	261	149	168

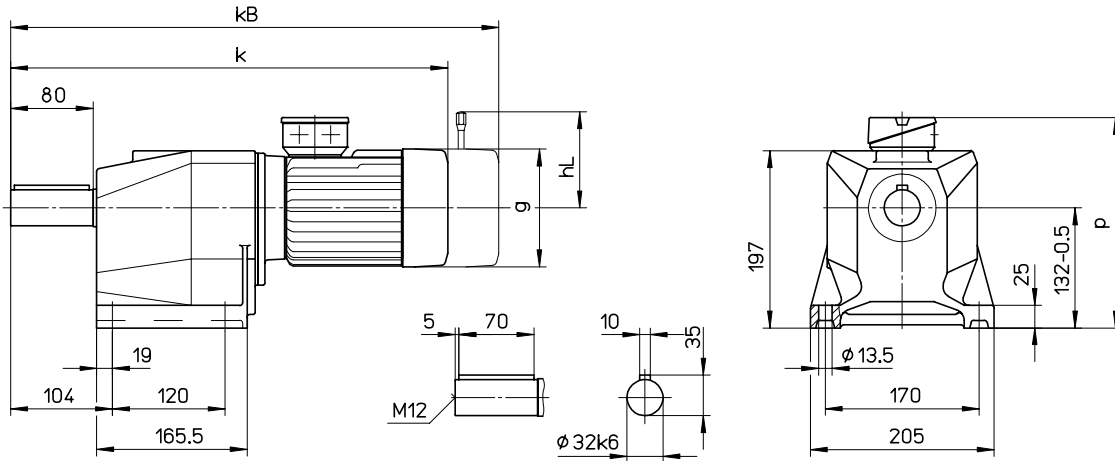
Dimensions kB and hL apply to geared motors with brake.

Helical Geared Motors ZG



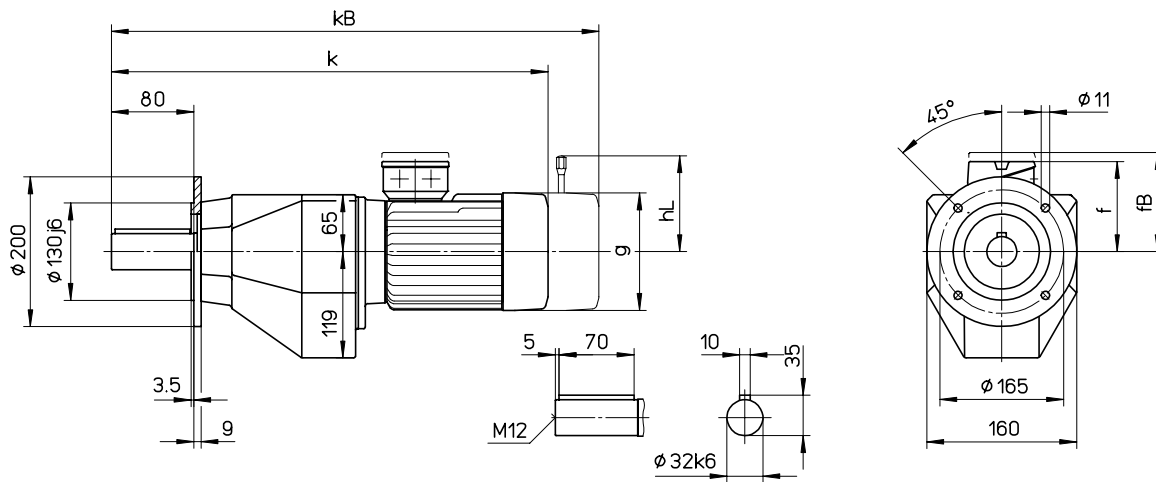
ZG2, ZG2/3

Foot mounted version



ZG2, ZG2/3

B5 Flange mounted version



	k	kB	g	p	f	hL
ZG2/3 DL63/71	473	525	126	245	113	106
ZG2 DL63/71	447	499	126	245	113	106
ZG2 DA80	496	567	158	247	135	128
ZG2 DA90S	496	567	158	247	135	128
ZG2 DA90L	543	607	176	281	149	168
ZG2 DA100L	543	607	176	281	149	168
ZG2 DA100LX	580	654	195	288	156	176

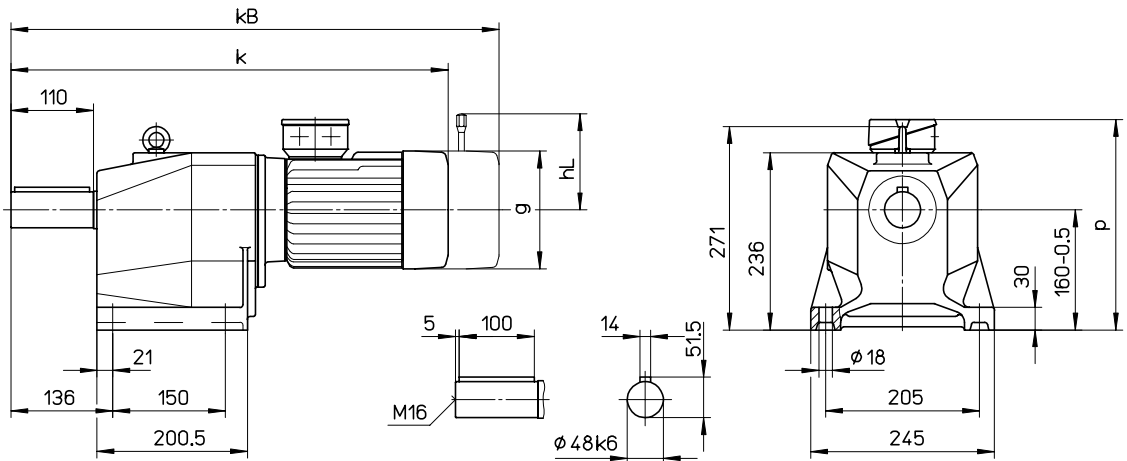
Dimensions kB and hL apply to geared motors with brake.

Helical Geared Motors ZG



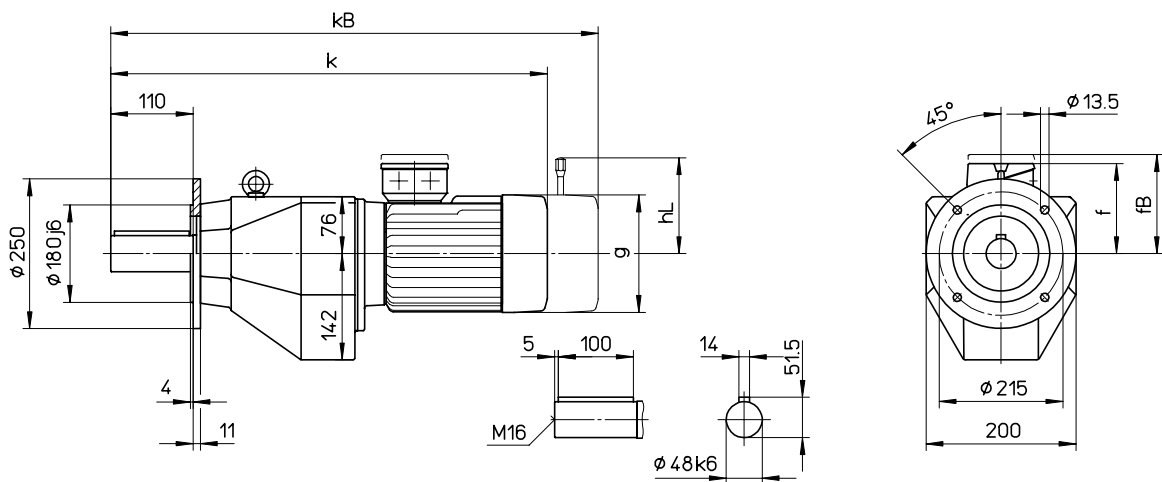
ZG3, ZG3/3

Foot mounted version



ZG3, ZG3/3

B5 Flange mounted version



	k	kB	g	p	f	hL
ZG3/3 DL63/71	537	589	126	273	113	106
ZG3 DA80	558	629	158	295	135	128
ZG3/3 DA80	585	656	158	295	135	128
ZG3 DA90S	558	629	158	295	135	128
ZG3 DA90L	605	670	176	309	149	168
ZG3 DA100L	605	670	176	309	149	168
ZG3 DA100LX	643	717	195	316	156	176
ZG3 DA112	643	717	195	316	156	176
ZG3 DA132	747	846	245	348	188	225

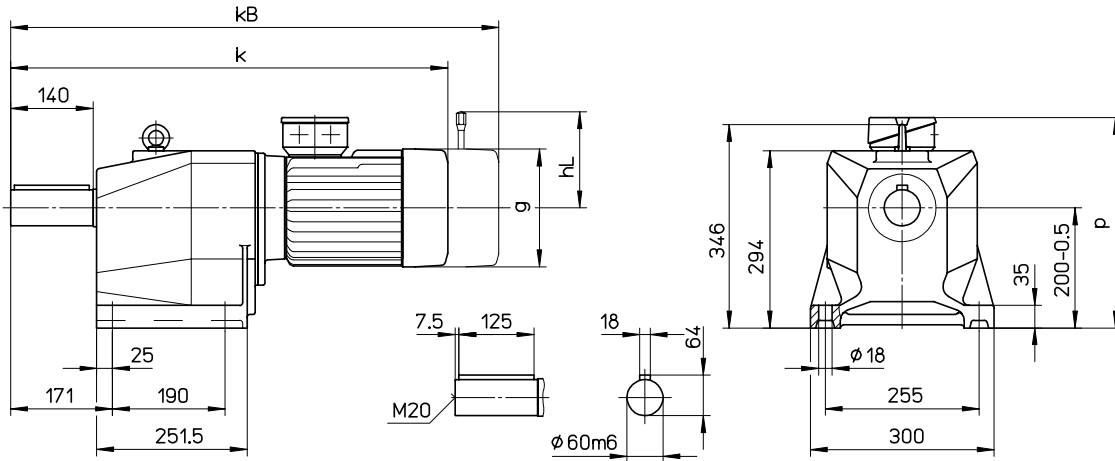
Dimensions kB and hL apply to geared motors with brake.

Helical Geared Motors ZG



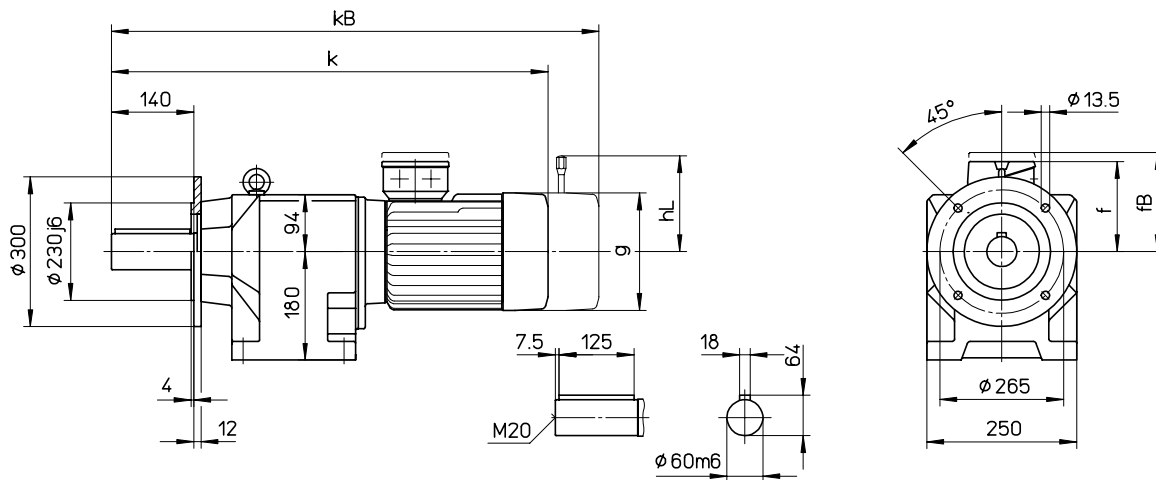
ZG4, ZG4/3

Foot mounted version



ZG4, ZG4/3

B5 Flange mounted version



	k	kB	g	p	f	hL
ZG4/3 DL63/71	617	669	126	313	113	106
ZG4/3 DA80	666	737	158	335	135	128
ZG4 DA90L	680	744	176	355	155	168
ZG4/3 DA90S	666	737	158	335	135	128
ZG4/3 DA90L	713	778	176	349	149	168
ZG4 DA100L	680	744	176	349	149	168
ZG4 DA100LX	717	791	195	356	156	176
ZG4 DA112	717	791	195	356	156	176
ZG4 DA132	821	920	245	388	188	225
ZG4 DA160	946	1065	311	450	250	256

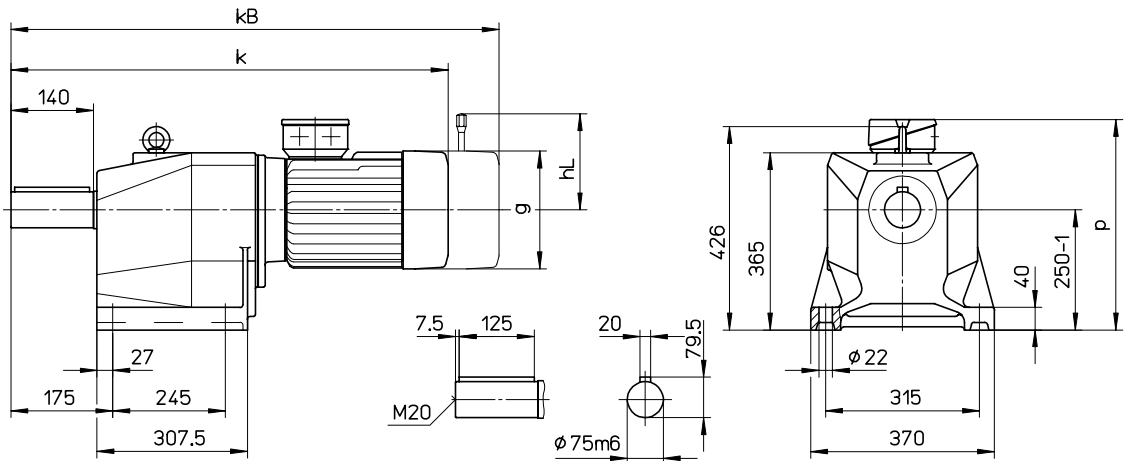
Dimensions kB and hL apply to geared motors with brake.

Helical Geared Motors ZG



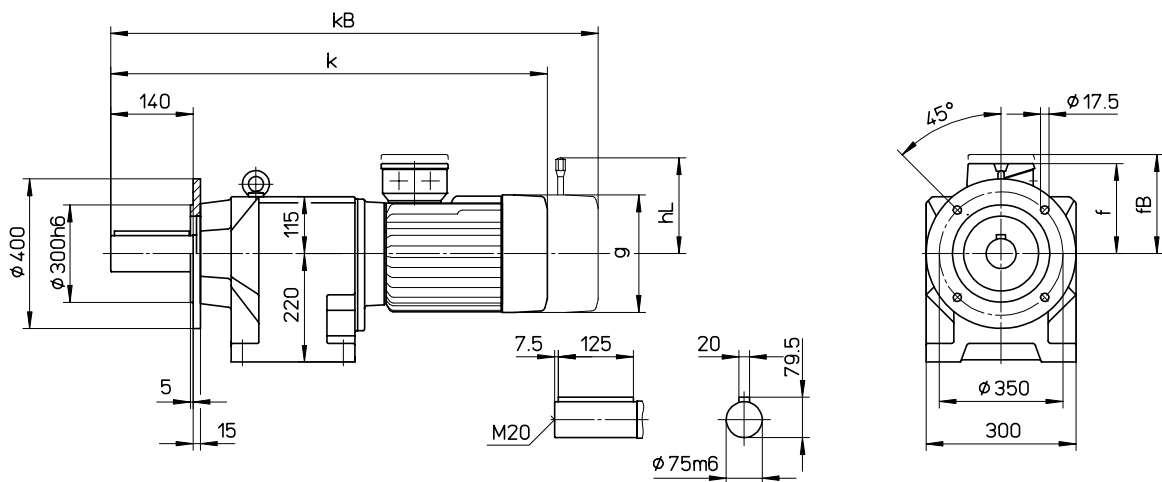
ZG5, ZG5/3

Foot mounted version



ZG5, ZG5/3

B5 Flange mounted version

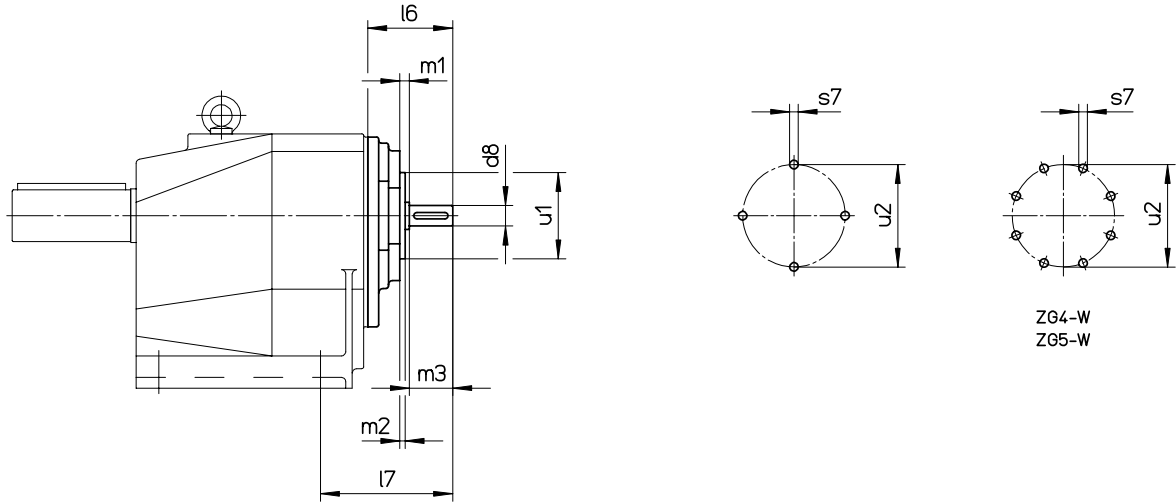


	k	kB	g	p	f	hL
ZG5/3 DA80	704	775	158	285	135	128
ZG5/3 DA90S	704	775	158	285	135	128
ZG5/3 DA90L	751	816	176	399	149	168
ZG5/3 DA100L	751	816	176	399	149	168
ZG5/3 DA100LX	789	863	195	406	156	176
ZG5 DA112	750	824	195	406	156	176
ZG5 DA132	854	953	245	438	188	225
ZG5 DA160	978	1098	311	500	250	256
ZG5 DA180M	978	1098	311	500	250	256

Dimensions kB and hL apply to geared motors with brake.

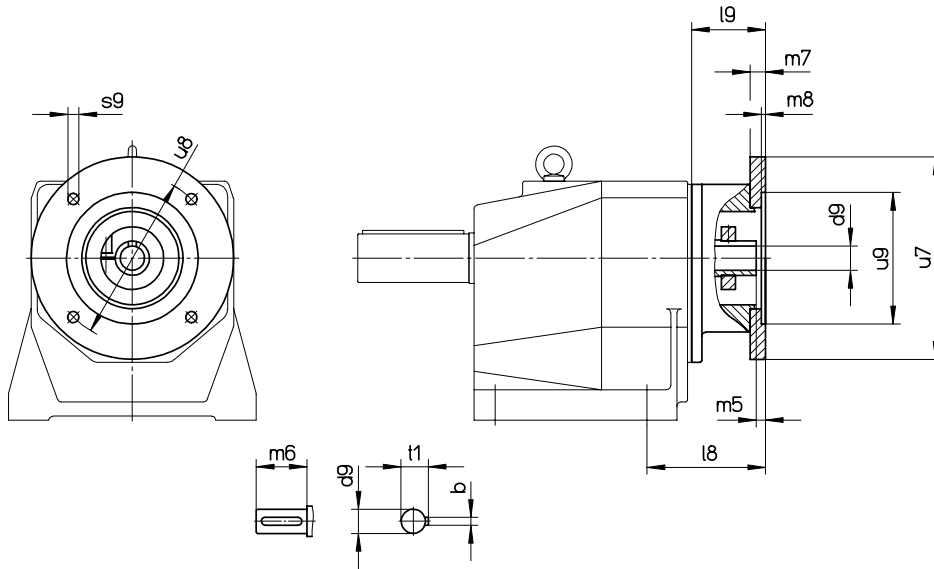
Helical Gear Units ZG

KEB



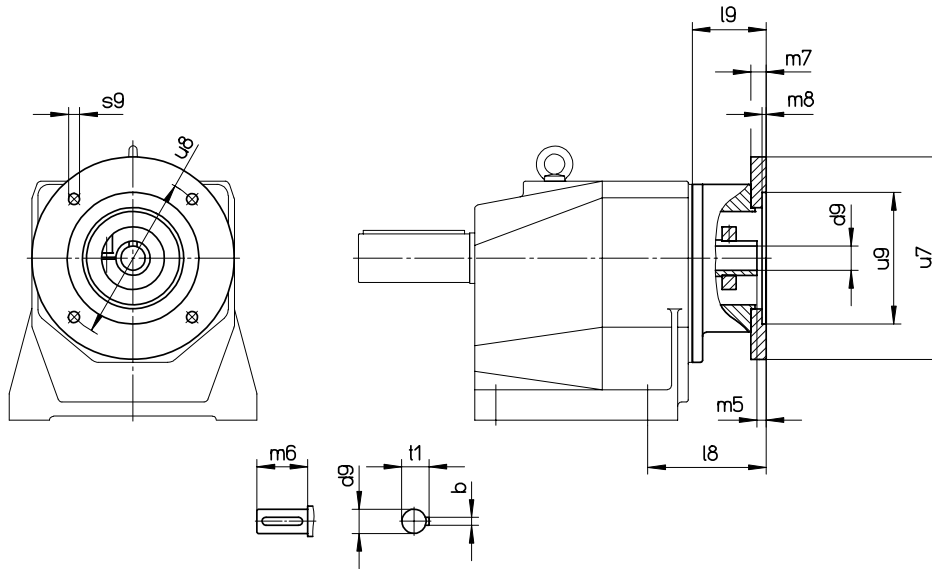
Gear	d_8	m_3	m_1	m_2	u_1	u_2	s_7	l_6	l_7
ZG0-W	14	40	8	5	54	67	M6	77.5	101.5
ZG1-W	14	40	8	5	54	67	M6	74	106.5
ZG2-W	19	40	9	5	80	95	M8	84.5	122
ZG2/3-W	14	40	8	5	54	67	M6	94.5	132
ZG3-W	24	50	9	5	80	95	M8	88.5	132.5
ZG3/3-W	14	40	8	5	54	67	M6	89.5	133.5
ZG4-W	28	60	11	6	125	150	M10	119.5	171
ZG4/3-W	19	40	9	5	80	95	M8	104	155.5
ZG5-W	38	80	11	6	125	150	M10	131.5	171
ZG5/3-W	24	50	9	5	80	95	M8	114.5	151

Helical Gear Units ZG with Adapter for IEC Motors



Gear	Adapter	u7	u8	u9	s9	d9	m6	b	t1	m5	m7	m8	l8	l9	
ZG0	-M IEC63B14G	120	100	80	7	11	23	4	12.5	4.5	12	4	70.5	46.5	
	-M IEC63B5	140	115	95	9							4			
	-M IEC71B14G	140	115	95	9	14	30	5	16	5	12	4	74.5	50.5	
	-M IEC71B5	160	130	110	9							4.5			
	-M IEC80B14K	120	100	80	7	19	40	6	21.5	7	12	4	83.5	59.5	
	-M IEC80B14G	160	130	110	9							4.5			
-M IEC80B5	200	165	130	11								4.5			
ZG1	-M IEC63B14G	120	100	80	7	11	23	4	12.5	4.5	12	4	75.5	43	
	-M IEC63B5	140	115	95	9							4			
	-M IEC71B14G	140	115	95	9	14	30	5	16	5	12	4	79.5	47	
	-M IEC71B5	160	130	110	9							4.5			
	-M IEC80B14K	120	100	80	7	19	40	6	21.5	7	12	4	88.5	56	
	-M IEC80B14G	160	130	110	9							4.5			
	-M IEC80B5	200	165	130	11								4.5		
	-M IEC90B14K	140	115	95	9	24	40	8	27	9	12	4	101	68.5	
	-M IEC90B14G	160	130	110	9							4.5			
	-M IEC90B5	200	165	130	11								4.5		
ZG2	-M IEC71B14G	140	115	95	9	14	30	5	16	5	15	4	96	58.5	
	-M IEC71B5	160	130	110	9							4.5			
	-M IEC80B14G	160	130	110	9	19	40	6	21.5	7	15	4.5	106	68.5	
	-M IEC80B5	200	165	130	11							4.5			
	-M IEC90B14K	140	115	95	9	24	50	8	27	9	15	4	117	79.5	
	-M IEC90B14G	160	130	110	9							4.5			
	-M IEC90B5	200	165	130	11								4.5		
	-M IEC100B14K	160	130	110	9	28	60	8	31	9	15	4.5	125	87.5	
	-M IEC100B14G	200	165	130	11							4.5			
	-M IEC100B5	250	215	180	14								5		
	-M IEC112B14K	160	130	110	9	28	60	8	31	9	15	4.5	125	87.5	
	-M IEC112B14G	200	165	130	11							4.5			
-M IEC112B5	250	215	180	14								5			

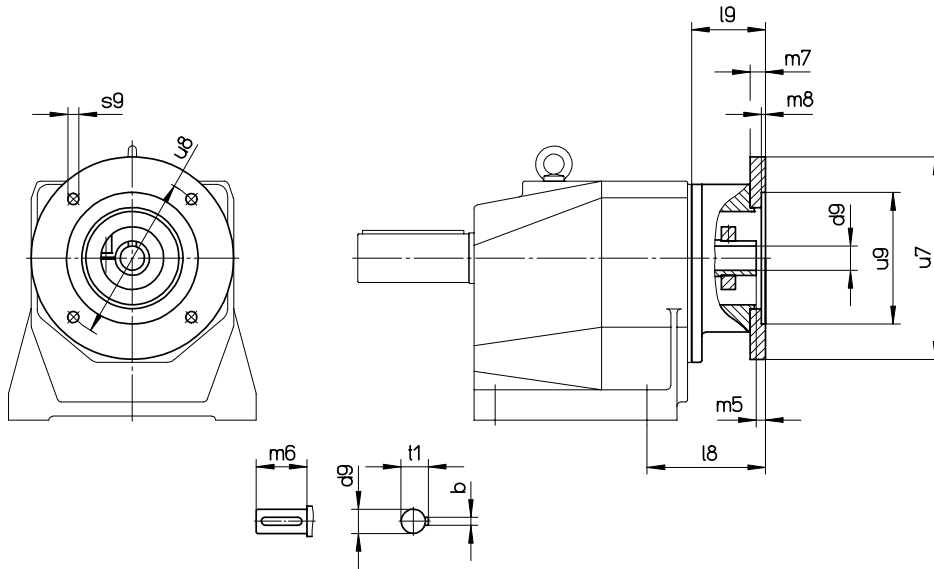
Helical Gear Units ZG with Adapter for IEC Motors



Gear	Adapter	u7	u8	u9	s9	d9	m6	b	t1	m5	m7	m8	l8	l9	
ZG2/3	-M IEC63B14G	120	100	80	7	11	23	4	12.5	4.5	12	4	101	46.5	
	-M IEC63B5	140	115	95	9							4			
	-M IEC71B14G	140	115	95	9	14	30	5	16	5	12	4	105	50.5	
	-M IEC71B5	160	130	110	9							4.5			
	-M IEC80B14K	120	100	80	7							4			
	-M IEC80B14G	160	130	110	9	19	40	6	21.5	7	12	4.5	114	59.5	
	-M IEC80B5	200	165	130	11						4.5				
ZG3	-M IEC80B14G	160	130	110	9	19	40	6	21.5	7	15	4.5	107	63	
	-M IEC80B5	200	165	130	11						4.5				
	-M IEC90B14G	160	130	110	9	24	50	8	27	9	15	4.5	118	74	
	-M IEC90B5	200	165	130	11							4.5			
	-M IEC100B14K	160	130	110	9							4.5			
	-M IEC100B14G	200	165	130	11	28	60	8	31	9	15	4.5	126	82	
	-M IEC100B5	250	215	180	14							5			
	-M IEC112B14K	160	130	110	9							4.5			
	-M IEC112B14G	200	165	130	11	28	60	8	31	9	15	4.5	126	82	
	-M IEC112B5	250	215	180	14							5			
-M IEC132B5	300	265	230	14	38	80	10	41	13.5	15	5	150	106		
ZG3/3	-M IEC63B14G	120	100	80	7	11	23	4	12.5	4.5	12	4	102.5	43	
	-M IEC63B5	140	115	95	9							4			
	-M IEC71B14G	140	115	95	9	14	30	5	16	5	12	4	106.5	47	
	-M IEC71B5	160	130	110	9							4.5			
	-M IEC80B14K	120	100	80	7							4			
	-M IEC80B14G	160	130	110	9	19	40	6	21.5	7	12	4.5	115.5	56	
	-M IEC80B5	200	165	130	11							4.5			
	-M IEC90B14K	140	115	95	9							4			
	-M IEC90B14G	160	130	110	9	24	40	8	27	9	12	4.5	128	68.5	
-M IEC90B5	200	165	130	11							4.5				

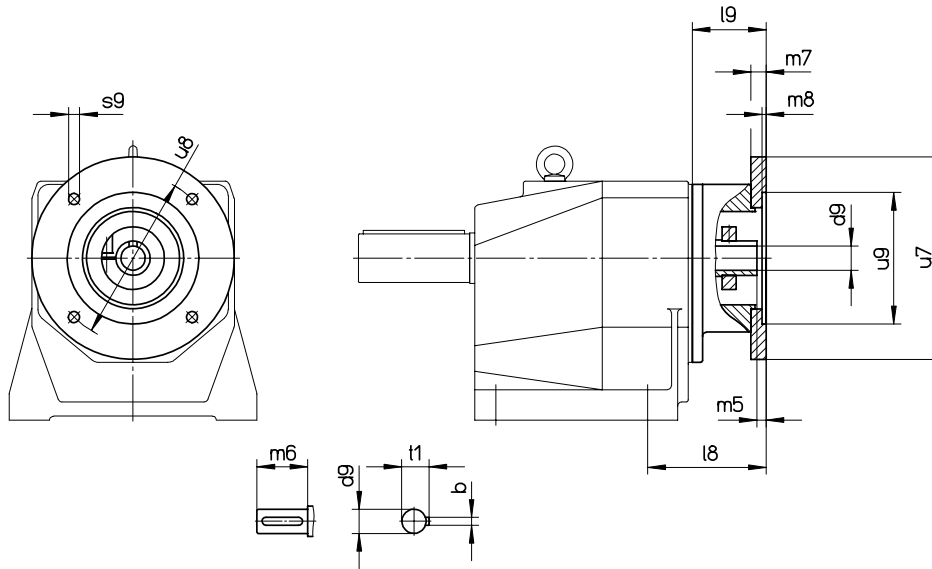
Helical Gear Units ZG with Adapter for IEC Motors

KEB



Gear	Adapter	u7	u8	u9	s9	d9	m6	b	t1	m5	m7	m8	l8	l9
ZG4	-M IEC90B5	200	165	130	11	24	50	8	27	9	18	4.5	129	77.5
	-M IEC100B14G	200	165	130	11	28	60	8	31	9	18	4.5	139	87.5
	-M IEC100B5	250	215	180	14	28	60	8	31	9	18	5	139	87.5
	-M IEC112B14G	200	165	130	11	28	60	8	31	9	18	4.5	139	87.5
	-M IEC112B5	250	215	180	14	38	80	10	41	13.5	18	5	160	108.5
	-M IEC132B5	300	265	230	14	42	110	12	45	14	18	6	190	138.5
ZG4/3	-M IEC71B14G	140	115	95	9	14	30	5	16	5	15	4	129.5	58.5
	-M IEC71B5	160	130	110	9	14	30	5	16	5	15	4.5	129.5	58.5
	-M IEC80B14G	160	130	110	9	19	40	6	21.5	7	15	4.5	139.5	68.5
	-M IEC80B5	200	165	130	11	19	40	6	21.5	7	15	4.5	139.5	68.5
	-M IEC90B14K	140	115	95	9	24	50	8	27	9	15	4	150.5	79.5
	-M IEC90B14G	160	130	110	9	24	50	8	27	9	15	4.5	150.5	79.5
	-M IEC90B5	200	165	130	11	24	50	8	27	9	15	4.5	150.5	79.5
	-M IEC100B14K	160	130	110	9	28	60	8	31	9	15	4.5	158.5	87.5
	-M IEC100B14G	200	165	130	11	28	60	8	31	9	15	4.5	158.5	87.5
	-M IEC100B5	250	215	180	14	28	60	8	31	9	15	5	158.5	87.5
	-M IEC112B14K	160	130	110	9	28	60	8	31	9	15	4.5	158.5	87.5
	-M IEC112B14G	200	165	130	11	28	60	8	31	9	15	4.5	158.5	87.5
	-M IEC112B5	250	215	180	14	38	80	10	41	13.5	18	5	160	108.5

Helical Gear Units ZG with Adapter for IEC Motors



Gear	Adapter	u7	u8	u9	s9	d9	m6	b	t1	m5	m7	m8	l8	l9
ZG5	-M IEC100B5	250	215	180	14	28	60	8	31	9	20	5	119.5	80
	-M IEC112B5	250	215	180	14	28	60	8	31	9	20	5	119.5	80
	-M IEC132B5	300	265	230	14	38	80	10	41	13.5	20	5	141.5	102
	-M IEC160B5	350	300	250	18	42	110	12	45	14	20	6	171.5	132
	-M IEC180B5	350	300	250	18	48	110	14	51.5	17	20	6	171.5	132
ZG5/3	-M IEC80B14G	160	130	110	9		40	6	21.5	7	15	4.5	125.5	63
	-M IEC80B5	200	165	130	11	19	40	6	21.5	7	15	4.5	125.5	63
	-M IEC90B14G	160	130	110	9		50	8	27	9	15	4.5	136.5	74
	-M IEC90B5	200	165	130	11	24	50	8	27	9	15	4.5	136.5	74
	-M IEC100B14K	160	130	110	9		60	8	31	9	15	4.5	144.5	82
	-M IEC100B14G	200	165	130	11	28	60	8	31	9	15	4.5	144.5	82
	-M IEC100B5	250	215	180	14		80	10	41	13.5	20	5	168.5	106
	-M IEC112B14K	160	130	110	9		60	8	31	9	15	4.5	144.5	82
	-M IEC112B14G	200	165	130	11	28	60	8	31	9	15	4.5	144.5	82
	-M IEC112B5	250	215	180	14		80	10	41	13.5	20	5	168.5	106
	-M IEC132B5	300	265	230	14	38	80	10	41	13.5	20	5	168.5	106