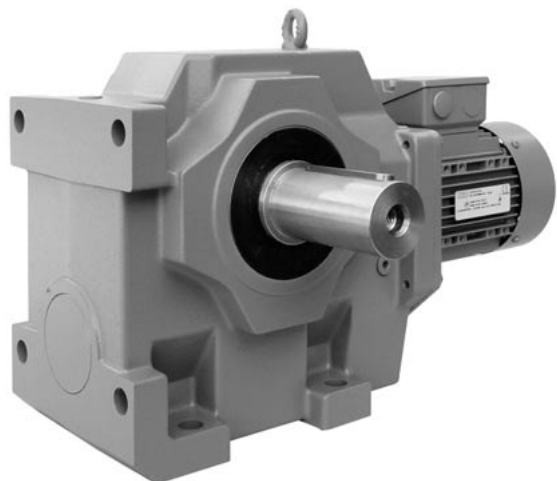


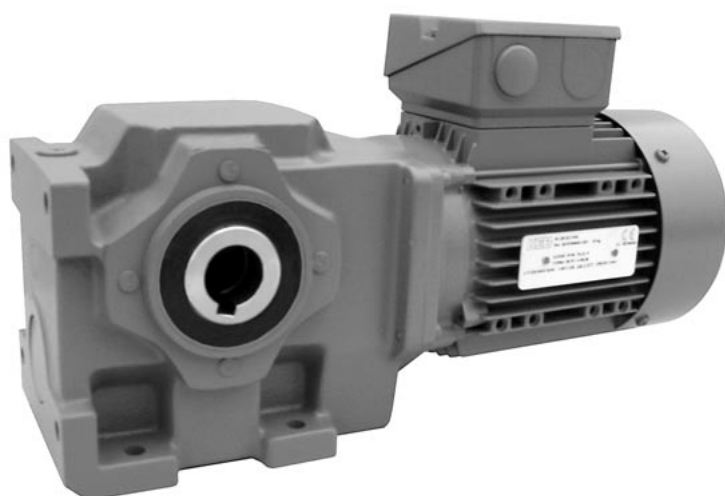
Helical-Worm Geared Motors S

KEB

S4.3AV DL71G4



S1.2B DL71K4

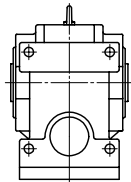
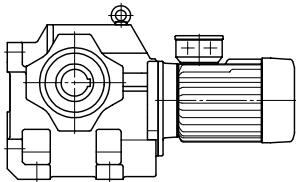


S0.2A DL63G4

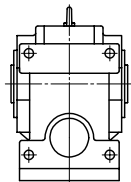
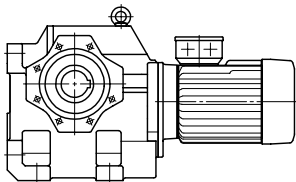


Helical-Worm Geared Motors S

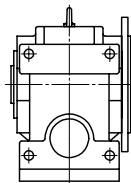
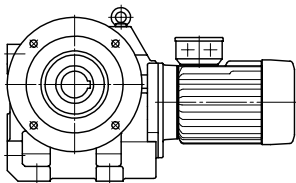
KEB



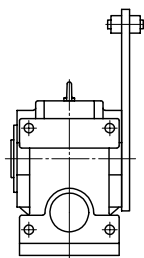
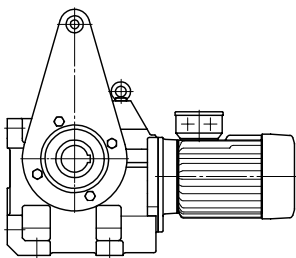
Shaft mounted version
with hollow shaft and keyway
Example: S2.2**A** DA90L4



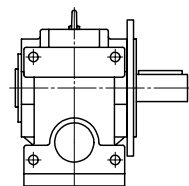
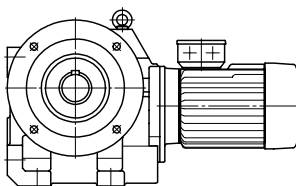
B14 Flange mounted version
with hollow shaft and keyway
Example: S4.3**B** DL63G4



B5 Flange mounted version
with hollow shaft and keyway
Example: S3.2**C** DA100L4



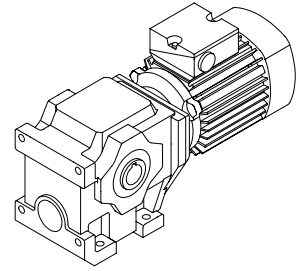
Shaft mounted version
with hollow shaft and keyway
with torque arm T1
Example: S1.2**BT1** DA80K



B5 Flange mounted version
with solid shaft and key
Example: S4.2**CV** DA100LX4

Helical-Worm Geared Motors S

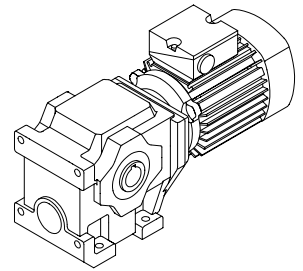
KEB



P	n ₂	M	cG	i	Fr	Fa	Type	Dimensions	Weight
[kW]	[1/min]	[Nm]			[N]	[N]		Page	[kg]
0.12	0.49	1720	0.8	2903.7	15300	12600	S4.2/G1.2A DL63K4	115/116	53
	0.54	1560	0.9	2621.1	15300	12100	S4.2/G1.2B DL63K4		53
	0.59	1410	1.0	2382.2	15300	11800	S4.2/G1.2C DL63K4		57
	0.68	1230	1.1	2073.4	15300	11300			
	0.75	1120	1.3	1884.4	15300	11000			
	0.82	1020	1.4	1711.5	15300	10800			
	0.91	925	1.5	1555.6	15300	10500			
	1.1	780	1.8	1303.1	15300	10100			
	1.2	710	2.0	1184.4	15300	9960			
	1.4	615	2.3	1020.7	15300	9710			
	1.5	560	2.5	927.68	15300	9570			
	0.76	1100	1.0	1857.9	15300	11000	S4.3A DL63K4	115	51
	0.86	975	1.2	1634.6	15300	10600	S4.3B DL63K4		51
	1.1	785	1.5	1314.4	15300	10200	S4.3C DL63K4		54
	1.3	655	1.8	1095.4	15300	9820			
1.7	510	2.3	842.59	15300	9440				
0.84	960	0.8	1686.0	10300	14700	S3.2/G1.2A DL63K4	114/116	36	
0.92	875	0.9	1532.4	10300	14400	S3.2/G1.2B DL63K4		36	
1.0	795	1.0	1391.8	10300	14200	S3.2/G1.2C DL63K4		38	
1.1	725	1.1	1265.0	10300	14000				
1.3	610	1.2	1059.7	10300	13600				
1.5	555	1.4	963.11	10300	13400				
1.7	480	1.6	830.01	10300	13200				
1.9	440	1.7	754.37	10300	13000				
2.3	355	2.0	611.11	10300	12800	S3.3A DL63K4	114	34	
3.0	280	2.7	477.78	10300	12500	S3.3B DL63K4		34	
						S3.3C DL63K4		36	
4.9	172	1.4	190.000	6060	4340	S2.2A DL63G6	113	20	
6.0	141	2.0	153.33	6060	4210	S2.2B DL63G6		20	
7.3	119	2.9	126.67	6060	4130	S2.2C DL63G6		22	
7.4	117	2.1	190.000	6060	4120	S2.2A DL63K4	113	20	
						S2.2B DL63K4		20	
						S2.2C DL63K4		22	
2.9	205	0.9	490.000	4680	3630	S1.2A DL63K4	112	14	
3.3	187	1.0	431.11	4680	3520	S1.2B DL63K4		14	
4.1	156	1.1	346.67	4680	3360	S1.2C DL63K4		15	
4.9	132	1.3	288.89	4680	3240				
6.3	104	1.7	222.22	4680	3090				
7.9	106	1.5	177.625	4680	3100				
9.0	95	2.0	156.28	4680	3050				
11	78	2.4	125.67	4680	2960				
13	65	2.8	104.72	4680	2890				

Helical-Worm Geared Motors S

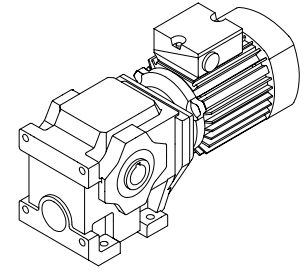
KEB



P	n2	M	cG	i	Fr	Fa	Type	Dimensions	Weight
[kW]	[1/min]	[Nm]			[N]	[N]		Page	[kg]
0.12	5.9	107	0.8	238.33	2720	1810	S0.2A DL63K4	111	6
	7.6	86	1.0	186.33	2660	1680	S0.2C DL63K4		7
	9.3	72	1.2	151.67	2590	1590			
	13	57	1.5	112.67	2450	1490			
	16	52	1.7	85.56	2230	1470			
	21	42	2.1	66.89	2130	1400			
	26	34	2.4	54.44	2050	1350			
	35	26	3.1	40.44	1910	1300			
	45	20	3.8	31.11	1800	1270			
	53	18	4.3	26.44	1730	1250			
	68	14	5.0	20.67	1620	1230			
	88	11	6.0	16.000	1510	1210			
	102	10	7.2	13.85	1430	1250			
	130	7.9	8.5	10.83	1340	1230			
	168	6.2	10.0	8.38	1240	1210			
220	4.8	11.6	6.42	1150	1190				
284	3.7	11.1	4.97	1060	1180				
0.18	0.68	1850	0.8	2073.4	15300	12900	S4.2/G1.2A DL63G4	115/116	53
	0.75	1680	0.8	1884.4	15300	12500	S4.2/G1.2B DL63G4		53
	0.82	1530	0.9	1711.5	15300	12100	S4.2/G1.2C DL63G4		57
	0.91	1390	1.0	1555.6	15300	11700			
	1.1	1170	1.2	1303.1	15300	11100			
	1.2	1060	1.3	1184.4	15300	10900			
	1.4	920	1.5	1020.7	15300	10500			
	1.5	835	1.7	927.68	15300	10300			
	0.86	1460	0.8	1634.6	15300	11900	S4.3A DL63G4	115	51
	1.1	1180	1.0	1314.4	15300	11200	S4.3B DL63G4		51
	1.3	985	1.2	1095.4	15300	10700	S4.3C DL63G4		54
	1.7	760	1.5	842.59	15300	10100			
	2.4	540	2.2	589.81	15300	9520			
	2.9	445	2.7	483.89	15300	9280			
	1.3	915	0.8	1059.7	10300	14600	S3.2/G1.2A DL63G4	114/116	36
1.5	835	0.9	963.11	10300	14300	S3.2/G1.2B DL63G4	36		
1.7	720	1.1	830.01	10300	13900	S3.2/G1.2C DL63G4	38		
1.9	655	1.2	754.37	10300	13700				
2.3	535	1.3	611.11	10300	13300	S3.3A DL63G4	114	34	
3.0	425	1.8	477.78	10300	13000	S3.3B DL63G4		34	
3.6	350	2.2	388.89	10300	12700	S3.3C DL63G4		36	
4.9	265	2.8	288.89	10300	12500				
7.4	181	2.8	190.000	10300	12200	S3.2A DL63G4	114	31	
						S3.2B DL63G4		31	
						S3.2C DL63G4		33	
4.9	260	0.9	190.000	6060	4680	S2.2A DL71K6	113	20	
6.0	210	1.3	153.33	6060	4500	S2.2B DL71K6		20	
7.3	178	1.9	126.67	6060	4360	S2.2C DL71K6		22	
7.4	176	1.4	190.000	6060	4350	S2.2A DL63G4	113	20	
9.2	146	2.0	153.33	6060	4230	S2.2B DL63G4		20	
11	122	2.8	126.67	6060	4140	S2.2C DL63G4		22	

Helical-Worm Geared Motors S

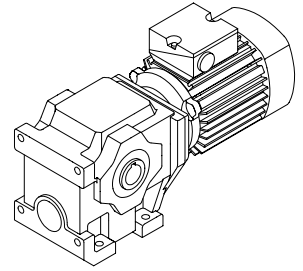
KEB



P	n2	M	cG	i	Fr	Fa	Type	Dimensions	Weight
[kW]	[1/min]	[Nm]			[N]	[N]		Page	[kg]
0.18	4.1	235	0.8	346.67	4680	3770	S1.2A DL63G4	112	14
	4.9	198	0.9	288.89	4680	3580	S1.2B DL63G4		
	6.3	156	1.1	222.22	4680	3360	S1.2C DL63G4		
	7.9	159	1.0	177.625	4680	3380			
	9.0	143	1.3	156.28	4680	3290			
	11	117	1.6	125.67	4680	3160			
	13	98	1.9	104.72	4680	3060			
	18	76	2.3	80.56	4680	2950			
	9.3	108	0.8	151.67	2140	1820	S0.2A DL63G4		
	13	85	1.0	112.67	2100	1670	S0.2C DL63G4		
	16	79	1.1	85.56	1900	1630			
	21	62	1.4	66.89	1880	1530			
	26	51	1.6	54.44	1840	1460			
	35	39	2.0	40.44	1750	1380			
	45	31	2.5	31.11	1670	1330			
	53	26	2.8	26.44	1620	1300			
	68	21	3.4	20.67	1530	1270			
	88	17	4.0	16.000	1440	1240			
	102	15	4.8	13.85	1360	1310			
130	12	5.7	10.83	1280	1270				
168	9.2	6.7	8.38	1200	1240				
220	7.1	7.7	6.42	1120	1220				
284	5.6	7.4	4.97	1040	1200				
0.25	1.1	1650	0.9	1303.1	15300	12400	S4.2/G1.2A DL71K4	115/116	53
	1.2	1500	0.9	1184.4	15300	12000	S4.2/G1.2B DL71K4		
	1.4	1300	1.1	1020.7	15300	11500	S4.2/G1.2C DL71K4		
	1.5	1180	1.2	927.68	15300	11200			
	1.3	1390	0.8	1095.4	15300	11700	S4.3A DL71K4	115	51
	1.6	1080	1.1	842.59	15300	10900	S4.3B DL71K4		
	2.3	760	1.6	589.81	15300	10100	S4.3C DL71K4		
	2.9	630	1.9	483.89	15300	9750			
	3.6	505	2.4	382.78	15300	9430			
	4.4	420	2.9	315.97	15300	9210			
	1.8	930	0.8	754.37	10300	14600	S3.2/G1.2A DL71K4	114/116	36
							S3.2/G1.2B DL71K4		
							S3.2/G1.2C DL71K4		
	2.3	755	0.9	611.11	10300	14100	S3.3A DL71K4	114	34
	2.9	600	1.3	477.78	10300	13500	S3.3B DL71K4		
	3.6	490	1.5	388.89	10300	13200	S3.3C DL71K4		
	4.8	375	2.0	288.89	10300	12800			
	6.2	295	2.5	222.22	10300	12600			
	7.3	255	2.0	190.000	10300	12400	S3.2A DL71K4	114	31
	8.7	215	2.8	158.33	10300	12300	S3.2B DL71K4		
							S3.2C DL71K4		
	6.0	295	1.0	153.33	6060	4840	S2.2A DL71G6	113	20
	7.2	250	1.4	126.67	6060	4650	S2.2B DL71G6		
							S2.2C DL71G6		
	7.3	250	1.0	190.000	6060	4640	S2.2A DL71K4	113	20
	9.0	205	1.4	153.33	6060	4470	S2.2B DL71K4		
	11	173	2.0	126.67	6060	4340	S2.2C DL71K4		
	14	135	2.5	98.33	6060	4190			
	17	111	3.0	80.000	6060	4090			

Helical-Worm Geared Motors S

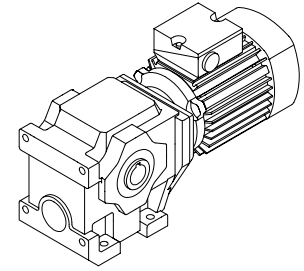
KEB



P	n ₂	M	cG	i	Fr	Fa	Type	Dimensions	Weight	
[kW]	[1/min]	[Nm]			[N]	[N]		Page	[kg]	
0.25	6.2	220	0.8	222.22	4680	3700	S1.2A DL71K4	112	14	
	8.9	200	0.9	156.28	4680	3600	S1.2B DL71K4		14	
	11	165	1.1	125.67	4680	3410	S1.2C DL71K4		15	
	13	139	1.3	104.72	4680	3270				
	17	108	1.7	80.56	4680	3110				
	25	77	2.2	56.39	4680	2950				
	30	65	2.6	46.26	4680	2890				
	16	111	0.8	85.56	1520	1830	S0.2A DL71K4	111	6	
	21	88	1.0	66.89	1580	1690	S0.2C DL71K4		7	
	25	73	1.2	54.44	1590	1590				
	34	55	1.5	40.44	1570	1480				
	45	43	1.8	31.11	1530	1410				
	52	37	2.0	26.44	1490	1370				
	67	30	2.4	20.67	1430	1320				
	87	23	2.8	16.000	1360	1280				
	100	21	3.4	13.85	1290	1380				
	128	17	4.0	10.83	1230	1330				
	165	13	4.8	8.38	1160	1280				
	216	10	5.5	6.42	1080	1250				
	279	7.9	5.3	4.97	1010	1230				
0.37	1.5	1760	0.8	927.68	15300	12700	S4.2/G1.2A DL71G4 S4.2/G1.2B DL71G4 S4.2/G1.2C DL71G4		115/116	54 54 58
	2.3	1130	1.0	589.81	15300	11000	S4.3A DL71G4	115		52
	2.9	935	1.3	483.89	15300	10500	S4.3B DL71G4			52
	3.6	750	1.6	382.78	15300	10100	S4.3C DL71G4		55	
	4.4	625	1.9	315.97	15300	9740				
	5.7	485	2.6	240.57	15300	9380				
	2.9	890	0.8	477.78	10300	14500	S3.3A DL71G4	114	34	
	3.5	730	1.0	388.89	10300	14000	S3.3B DL71G4		34	
	4.8	555	1.3	288.89	10300	13400	S3.3C DL71G4		36	
	6.2	435	1.7	222.22	10300	13000				
	7.3	380	1.4	190.000	10300	12800	S3.2A DL71G4	114	31	
	8.7	320	1.9	158.33	10300	12600	S3.2B DL71G4		31	
	11	255	2.8	123.33	10300	12400	S3.2C DL71G4		33	
	9.0	305	1.0	153.33	6060	4870	S2.2A DL71G4	113	20	
	11	255	1.4	126.67	6060	4680	S2.2B DL71G4		20	
	14	200	1.7	98.33	6060	4450	S2.2C DL71G4		23	
	17	164	2.0	80.000	6060	4310				
	24	119	2.7	57.14	6060	4130				
	13	205	0.9	104.72	4680	3620	S1.2A DL71G4	112	15	
	17	160	1.1	80.56	4680	3390	S1.2B DL71G4		15	
24	115	1.5	56.39	4610	3150	S1.2C DL71G4	16			
30	96	1.8	46.26	4440	3050					
38	77	2.1	36.60	4220	2950					
46	64	2.4	30.21	4050	2890					
60	50	3.0	23.000	3790	2810					

Helical-Worm Geared Motors S

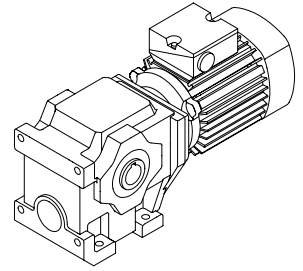
KEB



P	n2	M	cG	i	Fr	Fa	Type	Dimensions	Weight
[kW]	[1/min]	[Nm]			[N]	[N]		Page	[kg]
0.37	25	108	0.8	54.44	1160	1810	S0.2A DL71G4	111	7
	34	82	1.0	40.44	1240	1650	S0.2C DL71G4		8
	44	64	1.2	31.11	1270	1540			
	52	55	1.4	26.44	1270	1480			
	67	44	1.6	20.67	1260	1410			
	86	35	1.9	16.000	1230	1360			
	100	32	2.3	13.85	1150	1490			
	127	25	2.7	10.83	1120	1420			
	165	19	3.2	8.38	1070	1360			
	215	15	3.7	6.42	1020	1310			
	278	12	3.5	4.97	960	1270			
	0.55	2.9	1380	0.9	483.89	15300	11700		S4.3A DA80K4
3.6		1110	1.1	382.78	15300	11000	S4.3B DA80K4	55	
4.4		925	1.3	315.97	15300	10500	S4.3C DA80K4	58	
5.8		720	1.7	240.57	15300	9980			
7.4		575	2.2	188.43	15300	9610			
9.7		455	2.9	143.68	15300	9300			
7.2		590	1.6	193.33	15300	9650	S4.2A DA80K4	115	51
9.2		475	2.5	151.67	15300	9350	S4.2B DA80K4		51
							S4.2C DA80K4		54
4.8		815	0.9	288.89	10300	14300	S3.3A DA80K4	114	37
6.3		645	1.1	222.22	10300	13700	S3.3B DA80K4		37
							S3.3C DA80K4		39
7.3		560	0.9	190.000	10300	13400	S3.2A DA80K4	114	34
8.8		475	1.3	158.33	10300	13100	S3.2B DA80K4		34
11		380	1.9	123.33	10300	12800	S3.2C DA80K4		36
14		310	2.3	100.000	10300	12600			
19		230	3.0	73.500	10300	12300			
11		380	0.9	126.67	6060	5170	S2.2A DA80K4	113	24
14		295	1.2	98.33	6060	4830	S2.2B DA80K4		24
17		245	1.4	80.000	6060	4620	S2.2C DA80K4		26
24		176	1.8	57.14	6060	4350			
30		145	2.2	46.43	5940	4230			
36		122	2.5	38.750	5710	4140			
47		94	3.0	29.48	5360	4030			
25	170	1.0	56.39	4020	3430	S1.2A DA80K4	112		18
30	142	1.2	46.26	3950	3290	S1.2B DA80K4		18	
38	114	1.4	36.60	3830	3140	S1.2C DA80K4		19	
46	95	1.7	30.21	3710	3050				
60	73	2.0	23.000	3530	2930				
65	68	2.1	21.27	3480	2900				
77	58	2.4	18.02	3350	2850				
91	50	2.6	15.31	3230	2810				
101	45	2.8	13.74	3150	2780				
119	39	3.0	11.67	3030	2750				
45	95	0.8	31.11	880	1730	S0.2A DA80K4		111	9
53	82	0.9	26.44	940	1650	S0.2C DA80K4	11		
67	65	1.1	20.67	990	1550				
87	51	1.3	16.000	1020	1460				
100	47	1.6	13.85	950	1660				
128	37	1.8	10.83	960	1550				
166	29	2.2	8.38	950	1460				
217	22	2.5	6.42	920	1390				
280	17	2.4	4.97	890	1330				

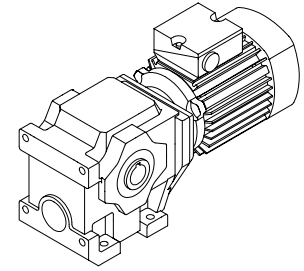
Helical-Worm Geared Motors S

KEB



P	n ₂	M	cG	i	Fr	Fa	Type	Dimensions	Weight
[kW]	[1/min]	[Nm]			[N]	[N]		Page	[kg]
0.75	3.7	1490	0.8	382.78	15300	12000	S4.3A DA80G4	115	57
	4.5	1240	1.0	315.97	15300	11300	S4.3B DA80G4		57
	5.9	965	1.3	240.57	15300	10600	S4.3C DA80G4		61
	7.5	775	1.6	188.43	15300	10100			
	9.8	610	2.1	143.68	15300	9700			
	14	445	2.9	103.41	15300	9270			
	7.3	795	1.2	193.33	15300	10200	S4.2A DA80G4	115	53
	9.3	640	1.9	151.67	15300	9780	S4.2B DA80G4		53
	11	525	2.4	123.33	15300	9490	S4.2C DA80G4		56
	6.3	865	0.8	222.22	10300	14400	S3.3A DA80G4	114	39
							S3.3B DA80G4		39
							S3.3C DA80G4		41
	8.9	640	1.0	158.33	10300	13700	S3.2A DA80G4	114	36
	11	510	1.4	123.33	10300	13300	S3.2B DA80G4		36
	14	415	1.7	100.000	10300	13000	S3.2C DA80G4		38
	19	310	2.2	73.500	10300	12600			
	24	250	2.6	59.29	10300	12400			
	28	215	3.0	50.000	10300	12300			
	14	400	0.9	98.33	5820	5240	S2.2A DA80G4	113	26
	18	325	1.0	80.000	5810	4960	S2.2B DA80G4		26
	25	235	1.4	57.14	5650	4600	S2.2C DA80G4		28
	30	195	1.6	46.43	5490	4430			
	36	164	1.8	38.750	5330	4310			
	48	127	2.2	29.48	5060	4160			
	60	101	2.6	23.33	4810	4060			
	74	83	3.0	19.000	4580	3980			
	30	191	0.9	46.26	3410	3540	S1.2A DA80G4		112
	39	153	1.1	36.60	3390	3350	S1.2B DA80G4	20	
47	128	1.2	30.21	3350	3220	S1.2C DA80G4	21		
61	99	1.5	23.000	3250	3060				
66	92	1.6	21.27	3210	3030				
78	78	1.8	18.02	3130	2960				
92	67	1.9	15.31	3030	2900				
103	61	2.0	13.74	2970	2870				
121	52	2.3	11.67	2870	2820				
143	44	2.5	9.89	2770	2780				
68	88	0.8	20.67	700	1690	S0.2A DA80G4	111	11	
88	69	1.0	16.000	790	1570	S0.2C DA80G4		13	
102	63	1.2	13.85	720	1840				
130	49	1.4	10.83	780	1690				
168	39	1.6	8.38	810	1570				
220	30	1.9	6.42	810	1470				
284	23	1.8	4.97	800	1400				
1.1	5.8	1440	0.9	240.57	15300	11800	S4.3A DA90S4	115	59
	7.4	1150	1.1	188.43	15300	11100	S4.3B DA90S4		59
							S4.3C DA90S4		62
	7.2	1180	0.8	193.33	15300	11200	S4.2A DA90S4	115	54
	9.2	950	1.3	151.67	15300	10600	S4.2B DA90S4		54
	11	785	1.6	123.33	15300	10200	S4.2C DA90S4		58
	15	585	2.1	91.500	15300	9640			
	18	500	2.5	78.000	15300	9420			
	22	410	2.9	63.125	15300	9180			

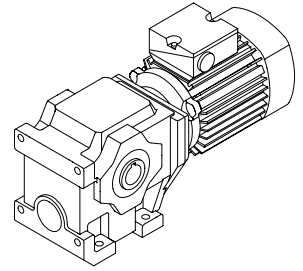
Helical-Worm Geared Motors S



P	n ₂	M	cG	i	Fr	Fa	Type	Dimensions	Weight	
[kW]	[1/min]	[Nm]			[N]	[N]		Page	[kg]	
1.1	11	755	0.9	123.33	10300	14100	S3.2A DA90S4	114	38	
	14	615	1.1	100.000	10300	13600				S3.2B DA90S4
	19	460	1.5	73.500	10300	13100				S3.2C DA90S4
	23	375	1.8	59.29	10200	12800				
	28	320	2.0	50.000	9840	12600				
	37	240	2.5	37.500	9220	12400				
	44	205	2.8	31.67	8850	12300				
	30	290	1.1	46.43	4740	4810	S2.2A DA90S4	113	27	
	36	245	1.2	38.750	4700	4630				S2.2B DA90S4
	47	189	1.5	29.48	4570	4400				S2.2C DA90S4
	60	151	1.8	23.33	4430	4250				
	65	139	1.9	21.43	4370	4210				
	73	124	2.0	19.000	4270	4150				
	87	105	2.3	15.91	4130	4070				
98	94	2.4	14.14	4030	4030					
117	79	2.6	11.84	3870	3970					
132	71	2.8	10.500	3770	3930					
1.5	7.5	1560	0.8	188.43	15300	12100	S4.3A DA90L4	115	61	
										S4.3B DA90L4
										S4.3C DA90L4
	9.3	1290	0.9	151.67	15300	11400	S4.2A DA90L4	115	57	
	11	1060	1.2	123.33	15300	10900				S4.2B DA90L4
	15	790	1.6	91.500	15300	10200				S4.2C DA90L4
	18	675	1.8	78.000	15300	9870			60	
	22	550	2.2	63.125	14700	9550				
	30	420	2.7	47.500	13800	9210				
	14	835	0.8	100.000	9700	14300	S3.2A DA90L4	114	40	
	19	620	1.1	73.500	9570	13600				S3.2B DA90L4
	24	505	1.3	59.29	9350	13200				S3.2C DA90L4
	28	430	1.5	50.000	9120	13000				
	37	325	1.8	37.500	8670	12700				
44	280	2.1	31.67	8380	12500					
57	220	2.4	24.81	7940	12300					
72	175	2.8	19.500	7500	12200					
30	390	0.8	46.43	3880	5210	S2.2A DA90L4	113	29		
36	330	0.9	38.750	3970	4970				S2.2B DA90L4	
48	255	1.1	29.48	4000	4670				S2.2C DA90L4	
60	205	1.3	23.33	3970	4460					
66	188	1.4	21.43	3940	4400					
74	167	1.5	19.000	3890	4320					
88	142	1.7	15.91	3810	4220					
99	127	1.8	14.14	3740	4160					
119	107	1.9	11.84	3630	4080					
134	95	2.0	10.500	3550	4030					
2.2	11	1570	0.8	123.33	14000	12200	S4.2A DA100L4	115	58	
	15	1170	1.1	91.500	13900	11100				S4.2B DA100L4
	18	1000	1.2	78.000	13800	10700				S4.2C DA100L4
	22	815	1.5	63.125	13400	10200				
	29	620	1.8	47.500	12800	9730				
	38	485	2.2	36.875	12200	9380				
	43	430	2.4	32.31	11900	9230				
	59	315	2.9	23.750	11000	8940				

Helical-Worm Geared Motors S

KEB



P	n ₂	M	cG	i	Fr	Fa	Type	Dimensions	Weight	
[kW]	[1/min]	[Nm]			[N]	[N]		Page	[kg]	
2.2	28	635	1.0	50.000	7900	13700	S3.2A DA100L4	114	42	
	37	485	1.2	37.500	7740	13200	S3.2B DA100L4		42	
	44	415	1.4	31.67	7590	12900	S3.2C DA100L4		44	
	56	330	1.6	24.81	7320	12700				
	71	260	1.9	19.500	7020	12400				
	95	196	2.2	14.57	6610	12000				
	128	148	2.6	10.875	6180	10400				
3.0	15	1570	0.8	91.500	11800	12200	S4.2A DA100LX4	115	65	
	18	1350	0.9	78.000	12000	11600	S4.2B DA100LX4		65	
	22	1100	1.1	63.125	11900	11000	S4.2C DA100LX4		69	
	30	835	1.3	47.500	11700	10300				
	38	655	1.6	36.875	11300	9810				
	44	575	1.8	32.31	11000	9610				
	59	425	2.2	23.750	10400	9220				
	69	365	2.4	20.50	10100	9070				
	73	345	2.4	19.35	10000	9020				
	91	280	2.7	15.43	9480	8850				
	97	265	2.8	14.58	9350	8810				
	121	215	3.0	11.62	8830	8680				
	38	650	0.9	37.500	6670	13700	S3.2A DA100LX4		114	48
	45	555	1.0	31.67	6680	13400	S3.2B DA100LX4			48
	57	440	1.2	24.81	6590	13000	S3.2C DA100LX4			50
72	350	1.4	19.500	6430	12700					
97	265	1.7	14.57	6160	11600					
130	199	1.9	10.875	5840	10200					
4.0	22	1470	0.8	63.125	10100	11900	S4.2A DA112M4	115	70	
	29	1120	1.0	47.500	10300	11000	S4.2B DA112M4		70	
	38	880	1.2	36.875	10200	10400	S4.2C DA112M4		74	
	43	770	1.3	32.31	10100	10100				
	59	570	1.6	23.750	9750	9600				
	68	495	1.8	20.50	9530	9400				
	72	465	1.8	19.35	9430	9330				
	91	375	2.0	15.43	9030	9100				
	96	355	2.1	14.58	8920	9050				
	120	285	2.3	11.62	8490	8870				
	128	270	2.3	10.98	8380	8830				
	44	745	0.8	31.67	5540	14000	S3.2A DA112M4		114	53
	56	590	0.9	24.81	5690	13500	S3.2B DA112M4			53
	72	470	1.1	19.500	5720	12700	S3.2C DA112M4			55
	96	355	1.2	14.57	5630	11300				
129	265	1.4	10.875	5440	10000					
5.5	39	1170	0.9	36.875	8590	11200	S4.2A DA132S4	115	86	
	45	1030	1.0	32.31	8670	10800	S4.2B DA132S4		86	
	61	760	1.2	23.750	8670	10100	S4.2C DA132S4		90	
	74	625	1.3	19.35	8540	9740				
	99	480	1.5	14.58	8220	9360				
	131	365	1.7	10.98	7830	9070				

Helical-Worm Geared Motors S for very low Output Speeds



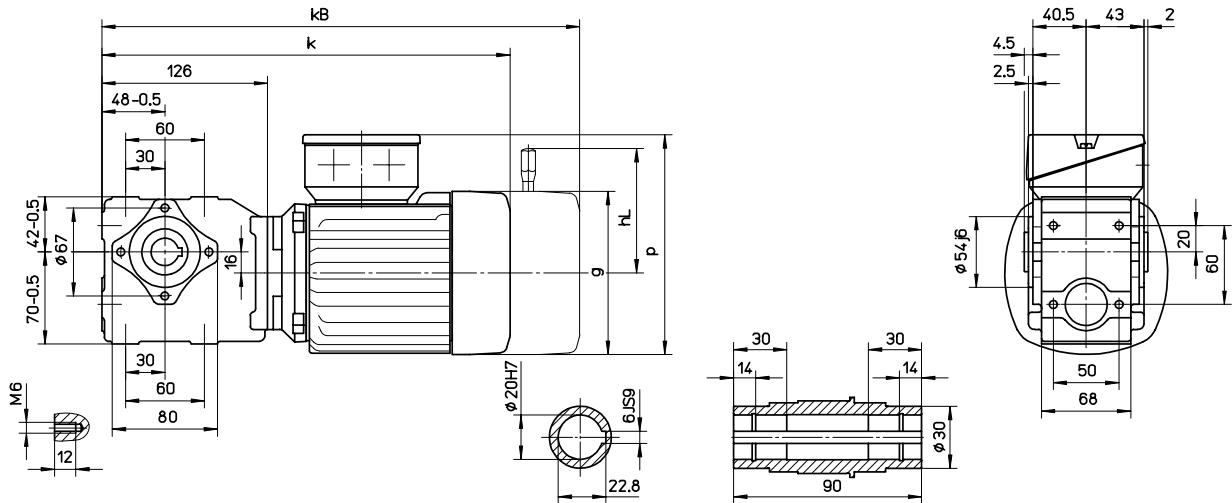
M	n2 Weight [Nm]	i	Type	Dimensions	
				Page	[kg]
765	0.13	10506	S3.2/G1.2A DL63K4	114/116	36
	0.15	9548.7	S3.2/G1.2B DL63K4		36
	0.15	9243.4	S3.2/G1.2C DL63K4	38	
	0.17	8183.7			
	0.19	7437.9			
	0.20	7200.2			
	0.22	6544.0			
	0.24	5789.8			
	0.27	5262.2			
	0.29	4824.8			
	0.32	4385.2			
	0.38	3711.4			
	0.42	3373.2			
	0.54	2598.0			
	0.60	2361.3			
	0.66	2131.4			
0.73	1937.2				
1410	0.11	12828	S4.2/G1.2A DL63K4	115/116	53
	0.12	11659	S4.2/G1.2B DL63K4		53
	0.12	11287	S4.2/G1.2C DL63K4		57
	0.14	10064			
	0.15	9146.7			
	0.16	8854.2			
	0.18	8047.4			
	0.20	7119.9			
	0.22	6471.1			
	0.24	5933.3			
	0.26	5392.6			
	0.31	4564.0			
	0.34	4148.1			
	0.44	3194.8			

Helical-Worm Geared Motors S



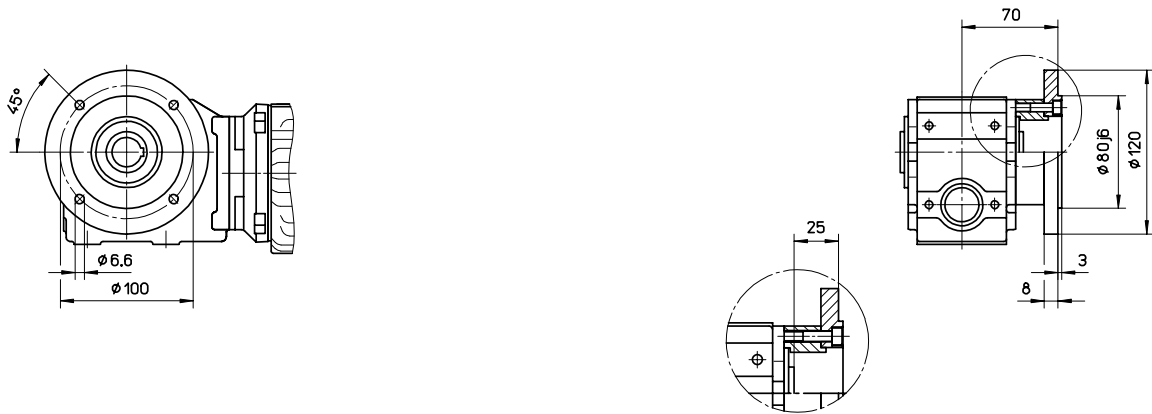
S0.2A

Foot mounted version



S0.2C

B5 Flange mounted version



	k	kB	g	p	hL
S0.2_DL63/71	324	376	126	176	106
S0.2_DA80	374	445	158	213	128

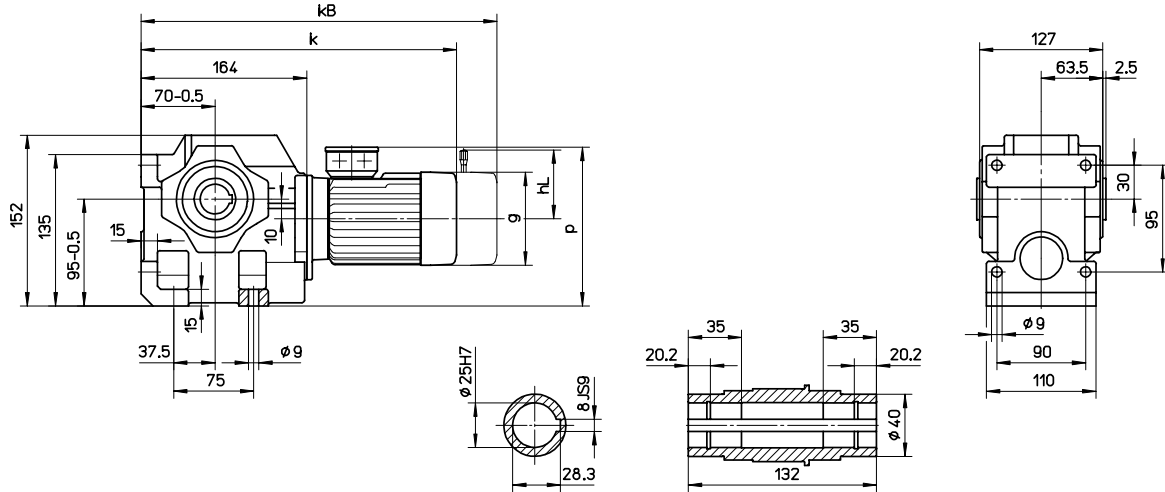
Dimensions kB and hL apply to geared motors with brake.

Helical-Worm Geared Motors S



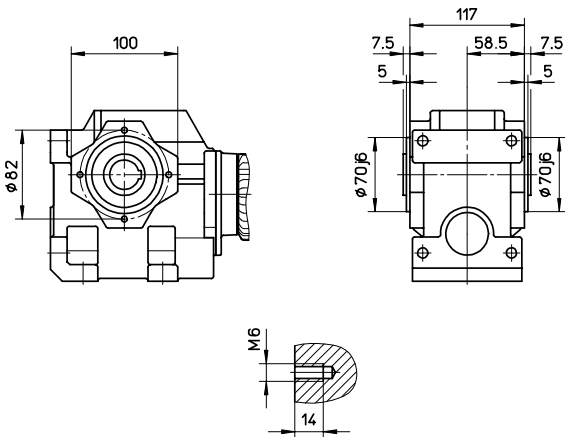
S1.2A

Foot mounted version



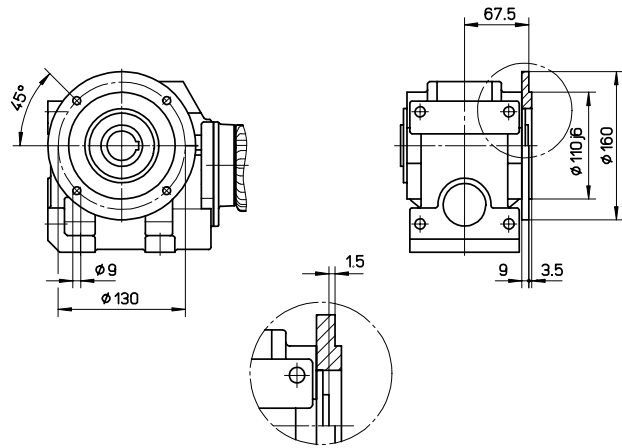
S1.2B

B14 Flange mounted version



S1.2C

B5 Flange mounted version



	k	kB	g	p	hL
S1.2_DL63/71	359	411	126	198	106
S1.2_DA80	408	479	158	220	128

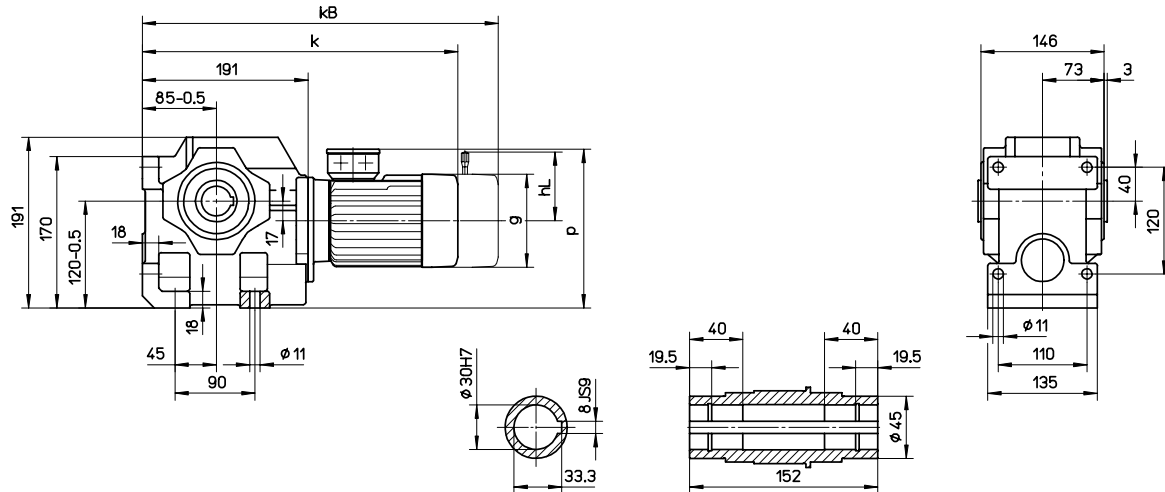
Dimensions kB and hL apply to geared motors with brake.

Helical-Worm Geared Motors S



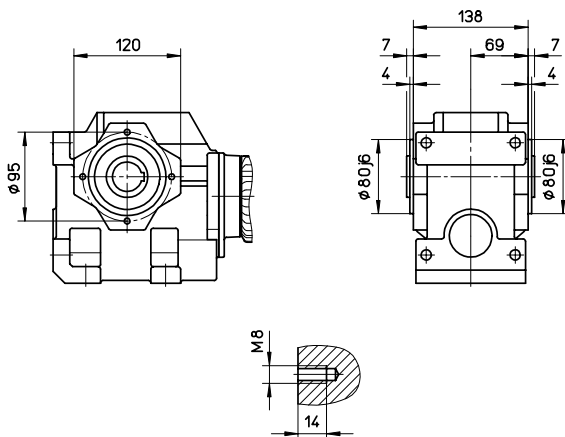
S2.2A

Foot mounted version



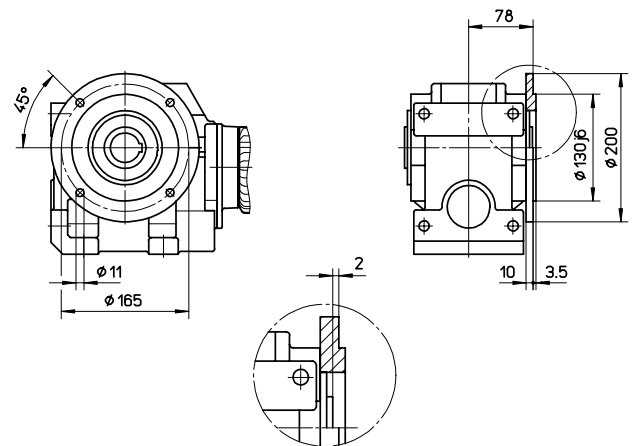
S2.2B

B14 Flange mounted version



S2.2C

B5 Flange mounted version



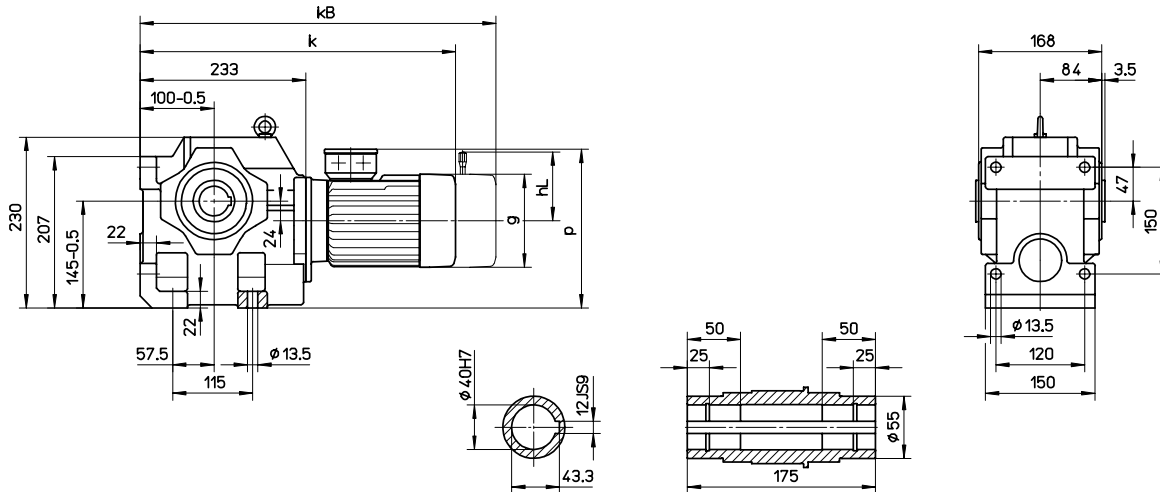
	k	kB	g	p	hL
S2.2_DL63/71	382	434	126	216	106
S2.2_DA80	431	502	158	238	128
S2.2_DA90S	431	502	158	238	128
S2.2_DA90L	478	542	176	252	168

Dimensions kB and hL apply to geared motors with brake.

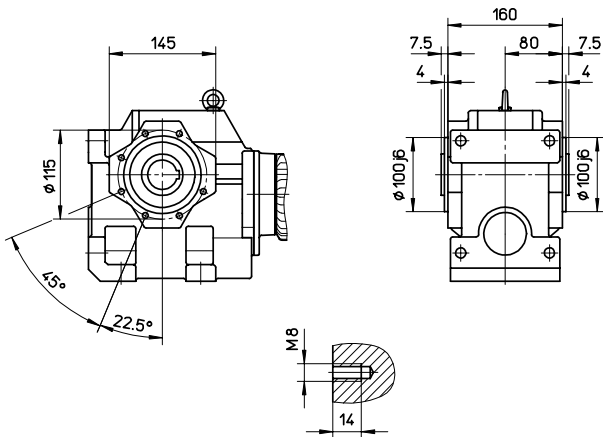
Helical-Worm Geared Motors S



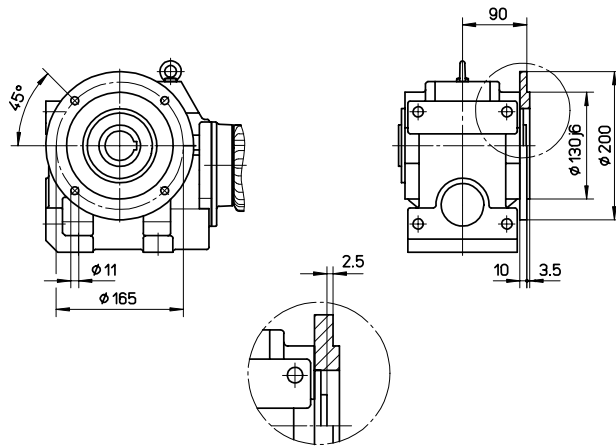
S3.2A, S3.3A Foot mounted version



S3.2B, S3.3B B14 Flange mounted version



S3.2C, S3.3C B5 Flange mounted version



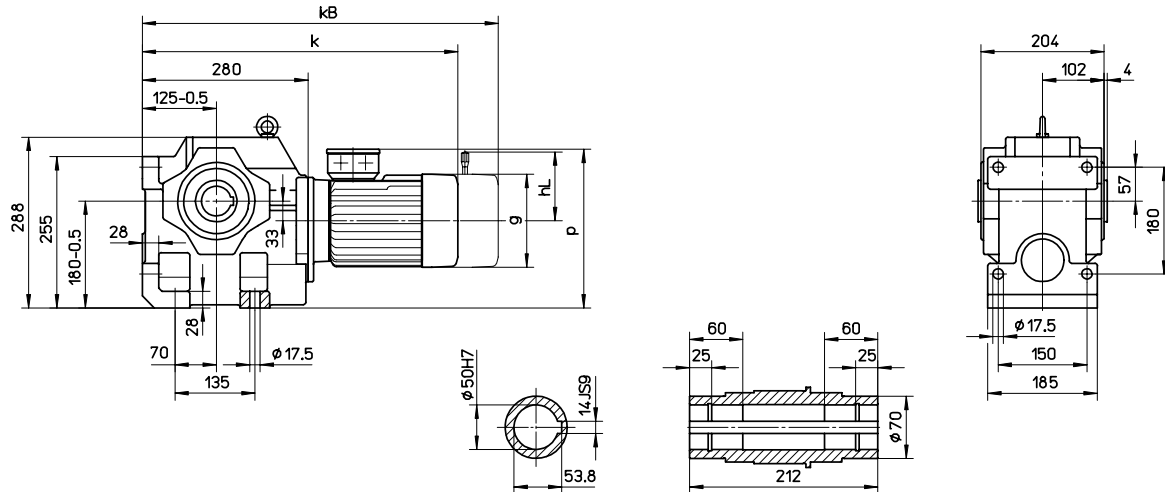
	k	kB	g	p	hL
S3.3_DL63/71	445	497	126	234	106
S3.2_DL63/71	418	470	126	234	106
S3.3_DA80	494	565	158	256	128
S3.2_DA80	467	538	158	256	128
S3.2_DA90S	467	538	158	256	128
S3.2_DA90L	514	579	176	270	168
S3.2_DA100L	514	579	176	270	168
S3.2_DA100LX	552	626	195	277	176
S3.2_DA112M	552	626	195	277	176

Dimensions kB and hL apply to geared motors with brake.

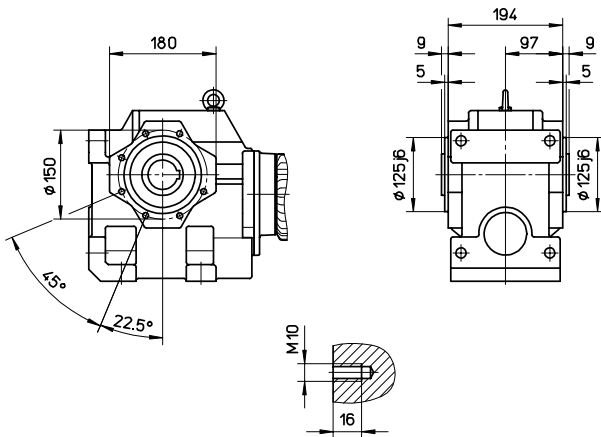
Helical-Worm Geared Motors S



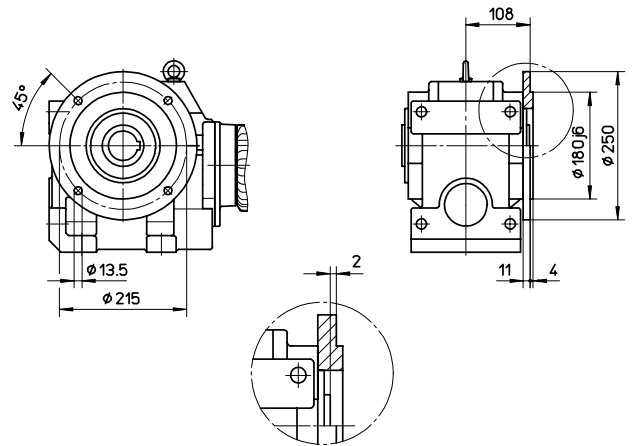
S4.2A, S4.3A Foot mounted version



S4.2B, S4.3B B14 Flange mounted version



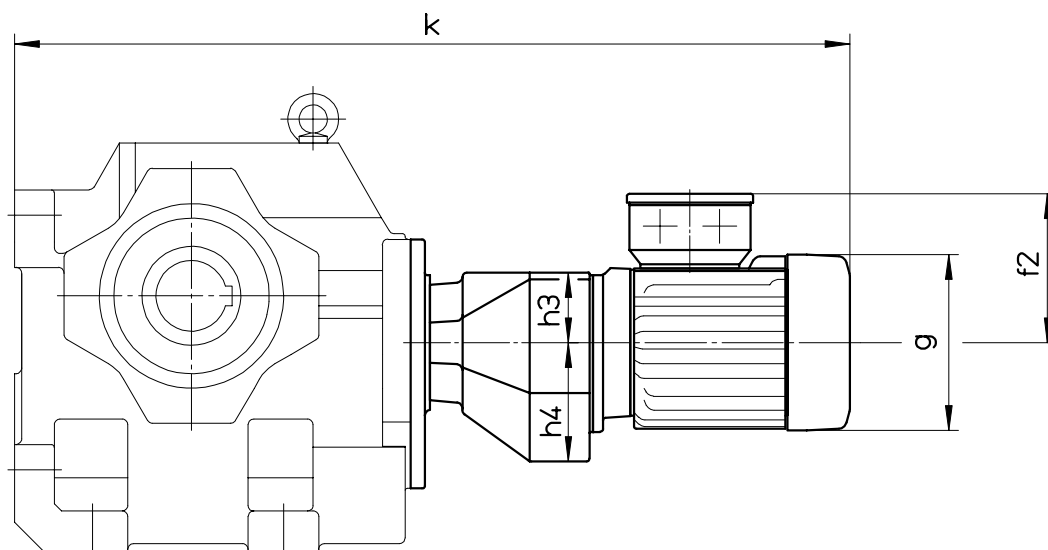
S4.2C, S4.3C B5 Flange mounted version



	k	kB	g	p	hL
S4.3_DL63/71	487	539	126	260	106
S4.2_DA80	508	579	158	282	128
S4.3_DA80	535	606	158	282	128
S4.2_DA90S	508	579	158	282	128
S4.2_DA90L	555	620	176	296	168
S4.2_DA100L	555	620	176	296	168
S4.2_DA100LX	593	667	195	303	176
S4.2_DA112	593	667	195	303	176
S4.2_DA132	697	796	245	335	225

Dimensions kB and hL apply to geared motors with brake.

Helical-Worm Geared Motors S for very low Output Speeds

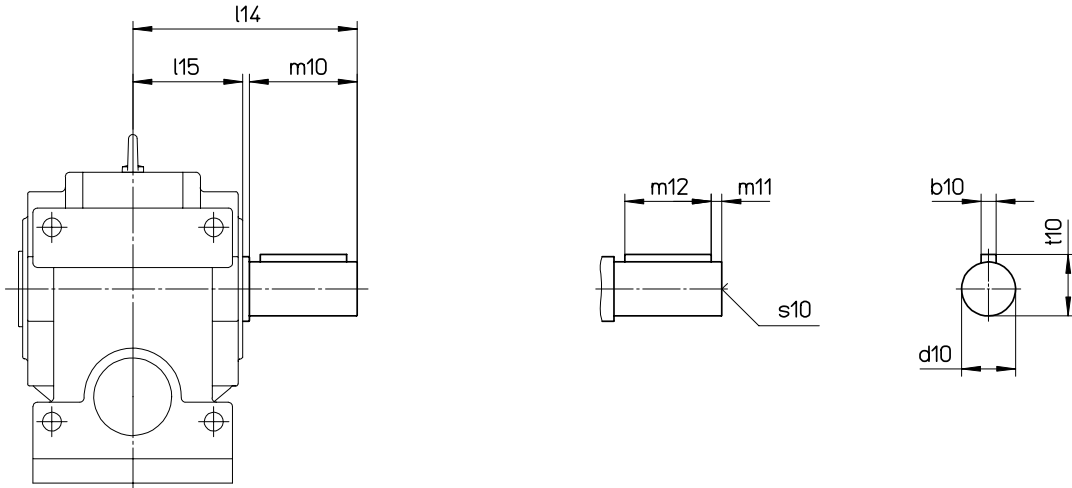


	k	g	f2	h3	h4
S3.2/G1.2A DL63/71	563	126	113	50	84
S4.2/G1.2A DL63/71	604	126	113	50	84

Helical-Worm Gear Units S

Version with Solid shaft

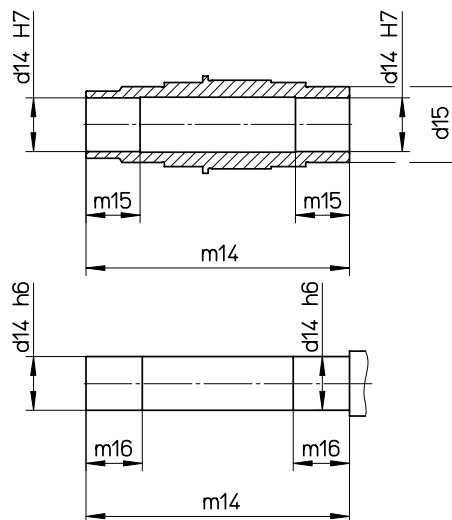
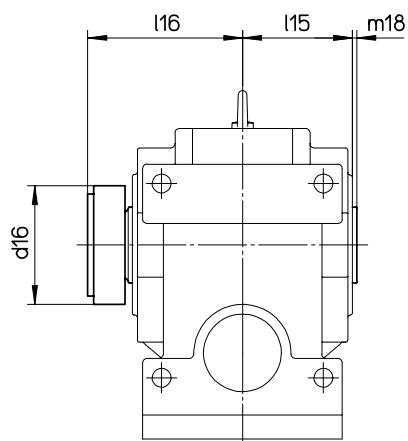
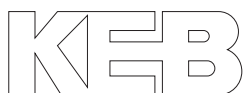
KEB



Gear	d10	m10	m11	m12	b10	t10	s10	l14	l15
S0.2A S0.2C	20	40	4	32	6	22.5	M6	85 110	43
S1	25	50	5	40	8	28	M10	117.5	63.5
S2	30	60	5	50	8	33	M10	138	73
S3	40	80	5	70	12	43	M16	170	84
S4	50	100	10	80	14	53.5	M16	208	102

Helical-Worm Gear Units S

Version with Hollow shaft and Shrink disc

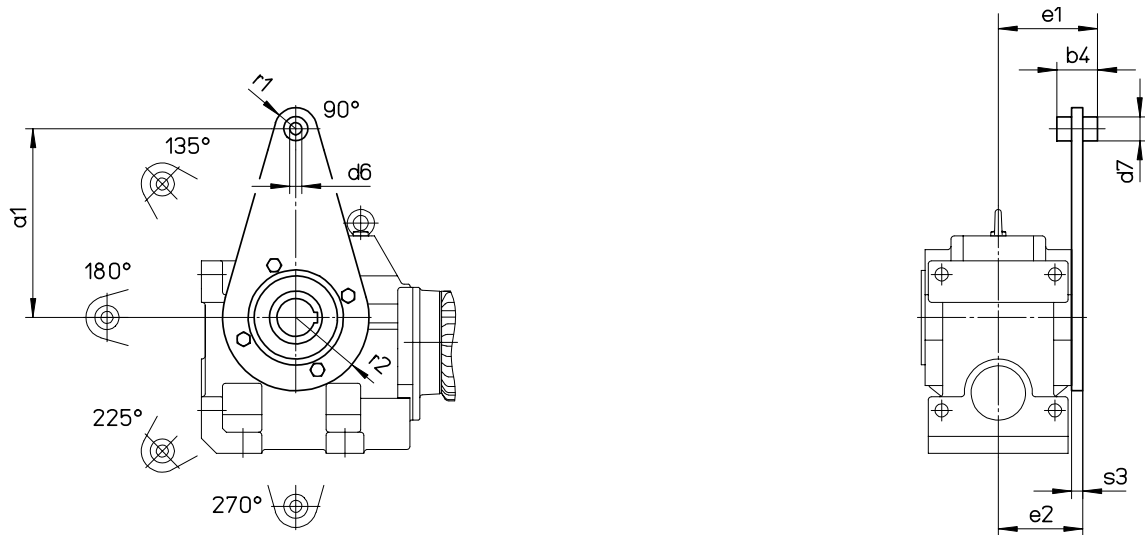


Gear	d14	d15	d16	m14	m15	m16	m18	l15	l16
S1	25	40	60	155	25	27	2.5	63.5	93
S2	30	45	72	176	30	32	3	73	106
S3	40	55	90	204	40	42	3.5	84	122
S4	50	70	110	244	50	52	4	102	144

Helical-Worm Gear Units S

Torque arm T1

KEB



Gear	a1	b4	d6	d7	e1	e2	s3	r1	r2
S0	100	15	11	32	51	46.5	6	20	40
S1	130	22	11	32	69	64.5	6	20	55
S2	160	22	11	32	84	77	8	20	65
S3	200	22	11	32	95	88	8	20	75
S4	250	32	17	40	117	105	8	28	97

Helical-Worm Gear Units S



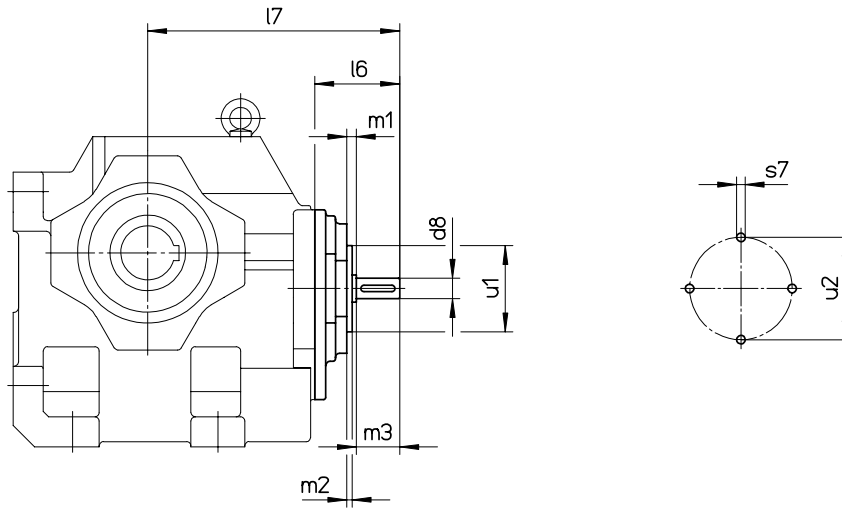
i	n2 [1/min] M [Nm] Pmax [kW] η		Motoradapter -M						
	n1=2800	n1=1400	n1=930	n1=700	IEC	IEC	IEC	IEC	IEC
S1.2									
490.000	5.7 175 0.18 0.57	2.9 181 0.10 0.52	1.9 183 0.07 0.49	1.4 184 0.06 0.47	63	71	80	S4B	S4C S4D
431.11	6.5 174 0.20 0.58	3.2 180 0.11 0.53	2.2 182 0.08 0.50	1.6 183 0.07 0.48	63	71	80	S4B	S4C S4D
346.67	8.1 171 0.24 0.59	4.0 178 0.14 0.55	2.7 181 0.10 0.51	2.0 182 0.08 0.49	63	71	80	S4B	S4C S4D
288.89	9.7 168 0.28 0.61	4.8 177 0.16 0.56	3.2 180 0.11 0.53	2.4 182 0.09 0.50	63	71	80	S4B	S4C S4D
222.22	13 163 0.34 0.64	6.3 174 0.20 0.58	4.2 178 0.14 0.55	3.2 180 0.11 0.53	63	71	80	S4B	S4C S4D
177.625	16 170 0.36 0.77	7.9 162 0.18 0.73	5.2 155 0.12 0.70	3.9 151 0.09 0.69	63	71	80	S4B	S4C S4D
156.28	18 178 0.43 0.78	9.0 185 0.23 0.75	6.0 177 0.15 0.71	4.5 172 0.12 0.69	63	71	80	S4B	S4C S4D
125.67	22 175 0.52 0.79	11 184 0.28 0.76	7.4 187 0.20 0.73	5.6 189 0.16 0.71	63	71	80	S4B	S4C S4D
104.72	27 171 0.60 0.80	13 182 0.33 0.77	8.9 186 0.23 0.75	6.7 188 0.18 0.72	63	71	80	S4B	S4C S4D
80.56	35 164 0.73 0.82	17 179 0.42 0.78	12 184 0.29 0.76	8.7 186 0.23 0.74	63	71	80	S4B	S4C S4D
56.39	50 155 0.96 0.84	25 173 0.56 0.80	16 180 0.40 0.78	12 183 0.31 0.77	63	71	80	S4B	S4C S4D
46.26	61 147 1.1 0.85	30 168 0.66 0.81	20 177 0.47 0.79	15 181 0.37 0.77	63	71	80	S4B	S4C S4D
36.60	77 138 1.3 0.85	38 162 0.79 0.82	25 172 0.57 0.80	19 177 0.45 0.78	63	71	80	S4B	S4C S4D
30.21	93 129 1.5 0.86	46 157 0.91 0.83	31 168 0.67 0.81	23 174 0.53 0.79	63	71	80	S4B	S4C S4D
23.000	122 117 1.5 0.88	61 147 1.1 0.85	40 161 0.82 0.83	30 168 0.66 0.81	63	71	80	S4B	S4C S4D
21.27	132 113 1.5 0.88	66 144 1.2 0.85	44 159 0.87 0.83	33 166 0.70 0.82	63	71	80	S4B	S4C S4D
18.02	155 104 1.5 0.89	78 137 1.3 0.86	52 153 0.99 0.84	39 162 0.80 0.83	63	71	80	S4B	S4C S4D
15.31	183 96 1.5 0.89	91 130 1.4 0.86	61 147 1.1 0.85	46 157 0.90 0.83	63	71	80	S4B	S4C S4D
13.74	204 89 1.5 0.90	102 125 1.5 0.87	68 143 1.2 0.85	51 154 0.98 0.84	63	71	80	S4B	S4C S4D
11.67	240 82 1.5 0.90	120 117 1.5 0.87	80 136 1.3 0.86	60 148 1.1 0.84	63	71	80	S4B	S4C S4D
9.89	283 73 1.5 0.91	142 109 1.5 0.88	94 129 1.5 0.86	71 141 1.2 0.85	63	71	80	S4B	S4C S4D
S2.2									
190.000	15 255 0.50 0.80	7.4 245 0.25 0.76	4.9 235 0.16 0.73	3.7 230 0.12 0.72	63	71	80	S4B	S4C S4D
153.33	18 310 0.73 0.80	9.1 300 0.37 0.78	6.1 285 0.24 0.74	4.6 280 0.18 0.73	63	71	80	S4B	S4C S4D
126.67	22 325 0.93 0.81	11 345 0.51 0.79	7.3 345 0.35 0.76	5.5 335 0.26 0.74	63	71	80	90	S4B S4C S4D S4E
98.33	28 315 1.1 0.82	14 340 0.64 0.80	9.5 350 0.44 0.78	7.1 355 0.35 0.76	63	71	80	90	S4B S4C S4D S4E
80.000	35 305 1.3 0.83	18 335 0.76 0.80	12 345 0.53 0.79	8.8 350 0.42 0.78	63	71	80	90	S4B S4C S4D S4E
57.14	49 280 1.7 0.85	24 320 1.0 0.82	16 335 0.72 0.80	12 345 0.56 0.79	63	71	80	S4B	S4C S4D
46.43	60 270 2.0 0.86	30 310 1.2 0.83	20 330 0.86 0.81	15 340 0.67 0.80	63	71	80	90	S4B S4C S4D S4E
38.750	72 255 2.2 0.86	36 300 1.4 0.83	24 325 1.00 0.81	18 335 0.79 0.80	63	71	80	90	S4B S4C S4D S4E
29.48	95 230 2.6 0.88	47 285 1.7 0.85	32 310 1.2 0.83	24 325 0.99 0.81	63	71	80	90	S4B S4C S4D S4E
23.33	120 205 2.9 0.89	60 270 2.0 0.86	40 295 1.5 0.84	30 310 1.2 0.82	63	71	80	90	S4B S4C S4D S4E
21.43	131 196 3.0 0.89	65 260 2.1 0.86	43 290 1.6 0.84	33 305 1.3 0.83				90	S4E
19.000	147 185 3.0 0.89	74 250 2.2 0.86	49 285 1.7 0.85	37 300 1.4 0.83	63	71	80	90	S4B S4C S4D S4E
15.91	176 168 3.0 0.90	88 235 2.5 0.87	58 270 1.9 0.85	44 290 1.6 0.84				90	S4E
14.14	198 154 3.0 0.90	99 225 2.6 0.88	66 260 2.1 0.86	49 280 1.7 0.85	63	71	80	90	S4B S4C S4D S4E
11.84	236 139 3.0 0.91	118 205 2.9 0.89	79 245 2.3 0.87	59 270 1.9 0.86				90	S4E
10.500	267 128 3.0 0.91	133 194 3.0 0.89	89 235 2.5 0.87	67 260 2.1 0.86	63	71	80	90	S4B S4C S4D S4E
S3.2									
190.000	15 540 1.0 0.82	7.4 510 0.51 0.78	4.9 495 0.34 0.75	3.7 485 0.25 0.74	71	80			S4C S4D
158.33	18 630 1.4 0.82	8.8 610 0.71 0.80	5.9 580 0.47 0.76	4.4 570 0.35 0.74	71	80	90		S4C S4D S4E
123.33	23 660 1.9 0.83	11 710 1.0 0.81	7.5 730 0.74 0.78	5.7 715 0.56 0.76	71	80	90	100	112 S4C S4D S4E
100.000	28 635 2.2 0.84	14 700 1.3 0.82	9.3 720 0.87 0.80	7.0 730 0.69 0.77	71	80	90	100	112 S4C S4D S4E
73.500	38 595 2.8 0.86	19 675 1.6 0.83	13 705 1.1 0.81	9.5 720 0.89 0.80	71	80	90	100	112 S4C S4D S4E
59.29	47 565 3.2 0.87	24 655 1.9 0.83	16 690 1.4 0.82	12 710 1.1 0.81	71	80	90		S4C S4D S4E
50.000	56 540 3.6 0.87	28 635 2.2 0.84	19 680 1.6 0.82	14 700 1.3 0.82	71	80	90	100	112 S4C S4D S4E
37.500	75 490 4.3 0.88	37 600 2.7 0.86	25 650 2.0 0.84	19 680 1.6 0.83	71	80	90	100	112 S4C S4D S4E
31.67	88 455 4.8 0.89	44 575 3.1 0.86	29 630 2.3 0.84	22 660 1.8 0.83	71	80	90	100	112 S4C S4D S4E
24.81	113 405 5.3 0.89	56 535 3.6 0.87	37 600 2.7 0.86	28 635 2.2 0.84				90	100 112 S4E
19.500	144 355 5.9 0.90	72 495 4.2 0.88	48 565 3.2 0.87	36 605 2.7 0.85				90	100 112 S4E
14.57	192 295 6.5 0.91	96 435 5.0 0.89	64 515 3.9 0.88	48 565 3.3 0.87				90	100 112 S4E
10.875	257 240 7.1 0.91	129 375 5.6 0.90	86 465 4.7 0.89	64 515 3.9 0.88				90	100 112 S4E

Helical-Worm Gear Units S



i	n2 [1/min] M [Nm] Pmax [kW] η (cG=1)				Motoradapter -M					
	n1=2800	n1=1400	n1=930	n1=700	IEC	IEC	IEC	IEC	IEC	IEC
S3.3										
611.11	4.6 745 0.48 0.75	2.3 750 0.25 0.72	1.5 740 0.17 0.71	1.1 735 0.13 0.71	63	71	80	S4B	S4C	S4D
477.78	5.9 740 0.59 0.76	2.9 755 0.32 0.73	1.9 760 0.22 0.72	1.5 760 0.16 0.71	63	71	80	S4B	S4C	S4D
388.89	7.2 730 0.71 0.78	3.6 750 0.38 0.73	2.4 755 0.26 0.72	1.8 760 0.20 0.71	63	71	80	S4B	S4C	S4D
288.89	9.7 720 0.90 0.81	4.8 745 0.50 0.75	3.2 750 0.35 0.73	2.4 755 0.27 0.72	63	71	80	S4B	S4C	S4D
222.22	13 705 1.1 0.81	6.3 735 0.63 0.77	4.2 745 0.44 0.74	3.2 750 0.34 0.73	63	71	80	S4B	S4C	S4D
188.89	15 695 1.3 0.82	7.4 730 0.73 0.78	4.9 745 0.51 0.75	3.7 750 0.40 0.74	63	71	80	S4B	S4C	S4D
S4.2										
193.33	14 990 1.8 0.85	7.2 945 0.89 0.81	4.8 915 0.59 0.78	3.6 895 0.44 0.76	80	90			S4D	S4E
151.67	18 1220 2.8 0.85	9.2 1200 1.4 0.83	6.1 1140 0.92 0.79	4.6 1120 0.70 0.78	80	90	100	112	132	S4D S4E S4F
123.33	23 1180 3.3 0.86	11 1290 1.8 0.84	7.5 1330 1.3 0.81	5.7 1350 1.0 0.79	80	90	100	112	132	S4D S4E S4F
91.500	31 1110 4.1 0.87	15 1250 2.4 0.85	10 1300 1.6 0.84	7.7 1330 1.3 0.81	80	90	100	112	132	S4D S4E S4F
78.000	36 1070 4.6 0.87	18 1230 2.7 0.85	12 1290 1.9 0.84	9.0 1310 1.5 0.83		90	100	112	132	S4E S4F
63.125	44 1010 5.3 0.88	22 1190 3.2 0.86	15 1250 2.3 0.85	11 1240 1.7 0.84	80	90	100	112	132	S4D S4E S4F
47.500	59 920 6.4 0.88	29 1120 4.0 0.87	20 1210 2.9 0.85	15 1260 2.3 0.85	80	90	100	112	132	S4D S4E S4F
36.875	76 830 7.5 0.89	38 1050 4.8 0.87	25 1160 3.6 0.86	19 1220 2.8 0.85			100	112	132	S4F
32.31	87 780 8.0 0.89	43 1020 5.3 0.88	29 1130 3.9 0.86	22 1190 3.2 0.86		90	100	112	132	S4E S4F
23.750	118 660 9.0 0.91	59 920 6.4 0.88	39 1040 4.9 0.87	29 1120 4.0 0.87			100	112	132	S4F
20.50	137 600 9.5 0.91	68 865 7.0 0.88	45 1000 5.4 0.88	34 1080 4.4 0.87					132	S4F
19.35	145 585 9.7 0.91	72 850 7.3 0.88	48 985 5.6 0.88	36 1070 4.6 0.87			100	112	132	S4F
15.43	181 500 10 0.92	91 765 8.1 0.89	60 910 6.5 0.88	45 1000 5.4 0.88					132	S4F
14.58	192 475 10 0.92	96 740 8.3 0.90	64 890 6.8 0.88	48 985 5.6 0.88			100	112	132	S4F
11.63	241 405 11 0.92	120 650 9.1 0.91	80 815 7.7 0.89	60 910 6.5 0.88					132	S4F
10.98	255 390 11 0.92	128 630 9.2 0.91	85 790 7.9 0.89	64 890 6.8 0.88			100	112	132	S4F
S4.3										
1857.9	1.5 1170 0.25 0.74	0.75 1150 0.12 0.73	0.50 1150 0.08 0.73	0.38 1150 0.06 0.73	63	71	80		S4B	S4C S4D
1634.6	1.7 1170 0.28 0.74	0.86 1150 0.14 0.73	0.57 1150 0.09 0.73	0.43 1150 0.07 0.73	63	71	80		S4B	S4C S4D
1314.4	2.1 1180 0.35 0.75	1.1 1160 0.18 0.73	0.71 1150 0.12 0.73	0.53 1150 0.09 0.73	63	71	80		S4B	S4C S4D
1095.4	2.6 1190 0.42 0.75	1.3 1160 0.21 0.74	0.85 1150 0.14 0.73	0.64 1150 0.11 0.73	63	71	80	90	S4B	S4C S4D S4E
842.59	3.3 1200 0.55 0.76	1.7 1170 0.27 0.74	1.1 1160 0.18 0.74	0.83 1150 0.14 0.73	63	71	80	90	S4B	S4C S4D S4E
589.81	4.7 1230 0.78 0.78	2.4 1180 0.39 0.75	1.6 1170 0.26 0.74	1.2 1160 0.20 0.74	63	71	80		S4B	S4C S4D
483.89	5.8 1250 0.96 0.79	2.9 1190 0.48 0.76	1.9 1170 0.32 0.74	1.4 1170 0.24 0.74	63	71	80		S4B	S4C S4D
382.78	7.3 1270 1.2 0.81	3.7 1210 0.60 0.77	2.4 1180 0.40 0.75	1.8 1170 0.30 0.74	63	71	80	90	S4B	S4C S4D S4E
315.97	8.9 1300 1.5 0.83	4.4 1220 0.73 0.77	2.9 1190 0.49 0.76	2.2 1180 0.37 0.75	63	71	80	90	S4B	S4C S4D S4E
240.57	12 1290 1.9 0.84	5.8 1250 0.96 0.79	3.9 1210 0.64 0.77	2.9 1190 0.48 0.76	63	71	80	90	S4B	S4C S4D S4E
188.43	15 1260 2.3 0.85	7.4 1280 1.2 0.81	4.9 1230 0.81 0.78	3.7 1210 0.61 0.77	63	71	80	90	S4B	S4C S4D S4E
143.68	19 1210 2.9 0.85	9.7 1310 1.6 0.84	6.5 1260 1.1 0.80	4.9 1230 0.80 0.78	63	71	80		S4B	S4C S4D
103.41	27 1140 3.0 0.86	14 1270 2.1 0.84	9.0 1310 1.5 0.83	6.8 1260 1.1 0.80	63	71	80		S4B	S4C S4D

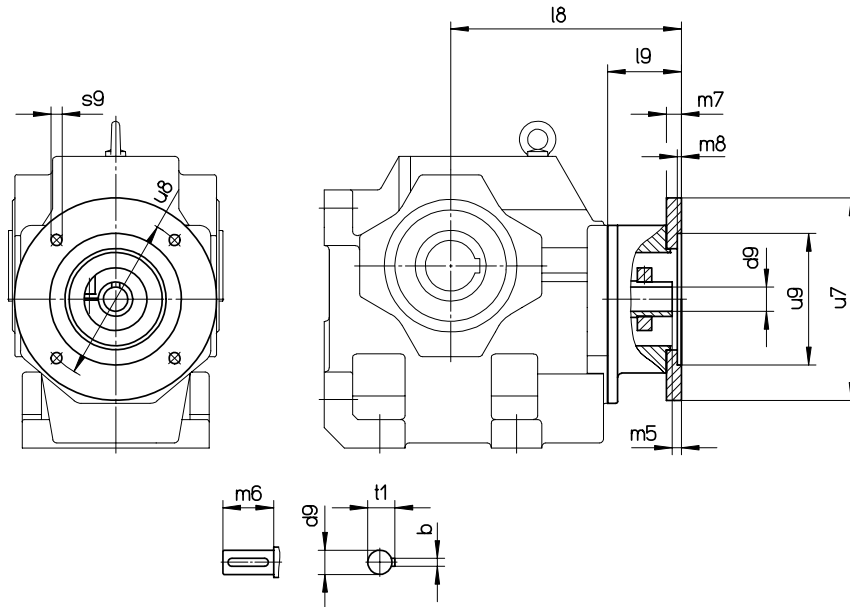
Helical-Worm Gear Units S



Gear	d_8	m_3	m_1	m_2	u_1	u_2	s_7	l_6	l_7
S1.2-W	14	40	8	5	54	67	M6	77.5	171.5
S2.2-W	14	40	8	5	54	67	M6	74	180
S3.2-W	19	40	9	5	80	95	M8	84.5	217.5
S3.3-W	14	40	8	5	54	67	M6	94.5	227.5
S4.2-W	24	50	9	5	80	95	M8	88.5	243.5
S4.3-W	14	40	8	5	54	67	M6	89.5	244.5

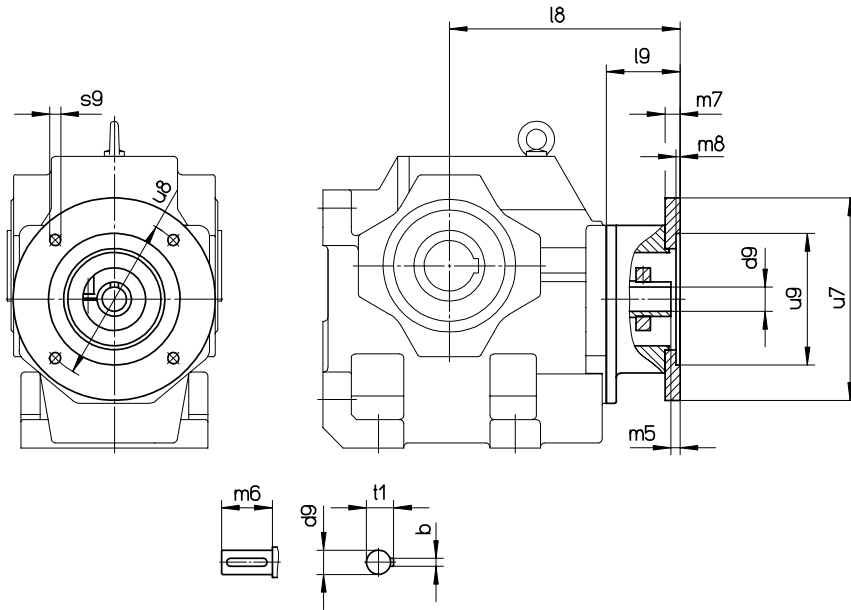
Helical-Worm Gear Units S with Adapter for IEC Motors

KEB



Gear	Adapter	u7	u8	u9	s9	d9	m6	b	t1	m5	m7	m8	l8	l9	
S1.2	-M IEC63B14G	120	100	80	7	11	23	4	12.5	4.5	12	4	140.5	46.5	
	-M IEC63B5	140	115	95	9							4			
	-M IEC71B14G	140	115	95	9	14	30	5	16	5	12	4	144.5	50.5	
	-M IEC71B5	160	130	110	9							4.5			
	-M IEC80B14K	120	100	80	7	19	40	6	21.5	7	12	4	153.5	59.5	
	-M IEC80B14G	160	130	110	9							4.5			
-M IEC80B5	200	165	130	11								4.5			
S2.2	-M IEC63B14G	120	100	80	7	11	23	4	12.5	4.5	12	4	149	43	
	-M IEC63B5	140	115	95	9							4			
	-M IEC71B14G	140	115	95	9	14	30	5	16	5	12	4	153	47	
	-M IEC71B5	160	130	110	9							4.5			
	-M IEC80B14K	120	100	80	7	19	40	6	21.5	7	12	4	162	56	
	-M IEC80B14G	160	130	110	9							4.5			
	-M IEC80B5	200	165	130	11								4.5		
	-M IEC90B14K	140	115	95	9	24	40	8	27	9	12	4	174.5	68.5	
	-M IEC90B14G	160	130	110	9							4.5			
-M IEC90B5	200	165	130	11								4.5			
S3.2	-M IEC71B14G	140	115	95	9	14	30	5	16	5	15	4	191.5	58.5	
	-M IEC71B5	160	130	110	9							4.5			
	-M IEC80B14G	160	130	110	9	19	40	6	21.5	7	15	4.5	201.5	68.5	
	-M IEC80B5	200	165	130	11							4.5			
	-M IEC90B14K	140	115	95	9	24	50	8	27	9	15	4	212.5	79.5	
	-M IEC90B14G	160	130	110	9							4.5			
	-M IEC90B5	200	165	130	11								4.5		
	-M IEC100B14K	160	130	110	9	28	60	8	31	9	15	4.5	220.5	87.5	
	-M IEC100B14G	200	165	130	11							5			
	-M IEC100B5	250	215	180	14								5		
	-M IEC112B14K	160	130	110	9	28	60	8	31	9	15	4.5	220.5	87.5	
	-M IEC112B14G	200	165	130	11							4.5			
-M IEC112B5	250	215	180	14								5			

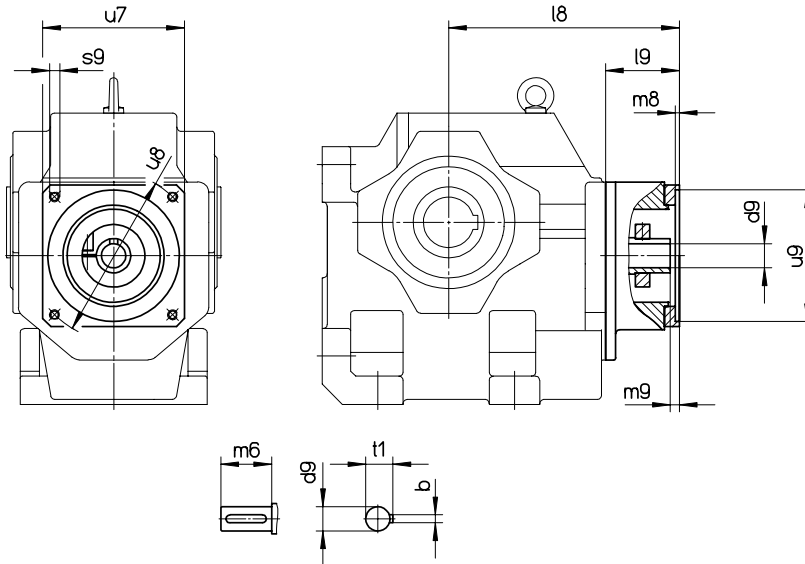
Helical-Worm Gear Units S with Adapter for IEC Motors



Gear	Adapter	u7	u8	u9	s9	d9	m6	b	t1	m5	m7	m8	l8	l9
S3.3	-M IEC63B14G	120	100	80	7	11	23	4	12.5	4.5	12	4	196.5	46.5
	-M IEC63B5	140	115	95	9	14	30	5	16	5	12	4	200.5	50.5
	-M IEC71B14G	140	115	95	9	14	30	5	16	5	12	4.5	200.5	50.5
	-M IEC71B5	160	130	110	9	14	30	5	16	5	12	4.5	200.5	50.5
	-M IEC80B14K	120	100	80	7	19	40	6	21.5	7	12	4	209.5	59.5
	-M IEC80B14G	160	130	110	9	19	40	6	21.5	7	12	4.5	209.5	59.5
S4.2	-M IEC80B5	200	165	130	11	19	40	6	21.5	7	15	4.5	218	63
	-M IEC80B14G	160	130	110	9	19	40	6	21.5	7	15	4.5	218	63
	-M IEC80B5	200	165	130	11	19	40	6	21.5	7	15	4.5	218	63
	-M IEC90B14G	160	130	110	9	24	50	8	27	9	15	4.5	229	74
	-M IEC90B5	200	165	130	11	24	50	8	27	9	15	4.5	229	74
	-M IEC100B14K	160	130	110	9	28	60	8	31	9	15	4.5	237	82
	-M IEC100B14G	200	165	130	11	28	60	8	31	9	15	4.5	237	82
	-M IEC100B5	250	215	180	14	28	60	8	31	9	15	5	237	82
	-M IEC112B14K	160	130	110	9	28	60	8	31	9	15	4.5	237	82
	-M IEC112B14G	200	165	130	11	28	60	8	31	9	15	4.5	237	82
-M IEC112B5	250	215	180	14	28	60	8	31	9	15	5	237	82	
-M IEC132B5	300	265	230	14	38	80	10	41	13.5	15	5	261	106	
S4.3	-M IEC63B14G	120	100	80	7	11	23	4	12.5	4.5	12	4	213.5	43
	-M IEC63B5	140	115	95	9	14	30	5	16	5	12	4	217.5	47
	-M IEC71B14G	140	115	95	9	14	30	5	16	5	12	4	217.5	47
	-M IEC71B5	160	130	110	9	14	30	5	16	5	12	4.5	217.5	47
	-M IEC80B14K	120	100	80	7	19	40	6	21.5	7	12	4	226.5	56
	-M IEC80B14G	160	130	110	9	19	40	6	21.5	7	12	4.5	226.5	56
	-M IEC80B5	200	165	130	11	19	40	6	21.5	7	12	4.5	226.5	56
	-M IEC90B14K	140	115	95	9	24	40	8	27	9	12	4	239	68.5
	-M IEC90B14G	160	130	110	9	24	40	8	27	9	12	4.5	239	68.5
-M IEC90B5	200	165	130	11	24	40	8	27	9	12	4.5	239	68.5	

Helical-Worm Gear Units S with Adapter for Servo Motors

KEB



Gear	Adapter	u7	u8	u9	s9	d9	m6	b	t1	m5	m8	l8	l9
S1.2	-M S4B	70	75	60	M5	11	23	4	12.2	4.5	3.5	140.5	46.5
	-M S4C	92	100	80	M6	14	30	5	16	5	4	144.5	50.5
	-M S4D	110	115	95	M8	19	40	6	21.5	7	4	153.5	59.5
S2.2	-M S4B	70	75	60	M5	11	23	4	12.2	4.5	3.5	149	43
	-M S4C	92	100	80	M6	14	30	5	16	5	4	153	47
	-M S4D	110	115	95	M8	19	40	6	21.5	7	4	162	56
	-M S4E	140	165	130	M10	24	50	8	27	9	4.5	174.5	68.5
S3.2	-M S4C	92	100	80	M6	14	30	5	16	5	4	191.5	58.5
	-M S4D	110	115	95	M8	19	40	6	21.5	7	4	201.5	68.5
	-M S4E	140	165	130	M10	24	50	8	27	9	4.5	212.5	79.5
S3.3	-M S4B	70	75	60	M5	11	23	4	12.2	4.5	3.5	196.5	46.5
	-M S4C	92	100	80	M6	14	30	5	16	5	4	200.5	50.5
	-M S4D	110	115	95	M8	19	40	6	21.5	7	4	209.5	59.5
S4.2	-M S4D	110	115	95	M8	19	40	6	21.5	7	4	218	63
	-M S4E	140	165	130	M10	24	50	8	27	9	4.5	229	74
	-M S4F	190	215	180	M12	32	58	10	35	9	5	237	82
	-M S4B	70	75	60	M5	11	23	4	12.2	4.5	3.5	213.5	43
S4.3	-M S4C	92	100	80	M6	14	30	5	16	5	4	217.5	47
	-M S4D	110	115	95	M8	19	40	6	21.5	7	4	226.5	56
	-M S4E	140	165	130	M10	24	50	8	27	9	4.5	239	68.5
	-M S4B	70	75	60	M5	11	23	4	12.2	4.5	3.5	213.5	43