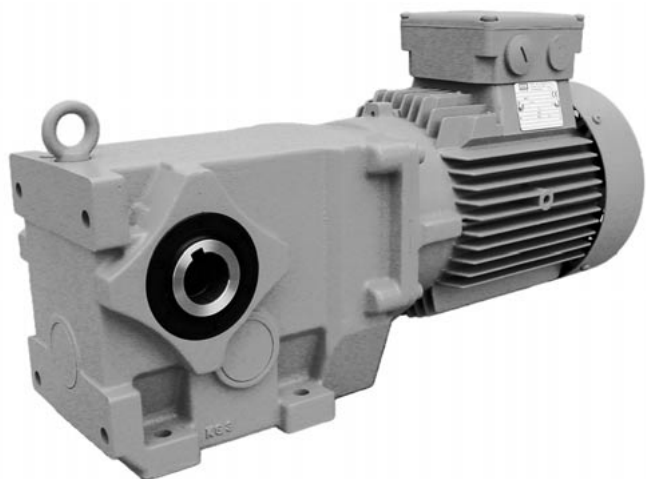


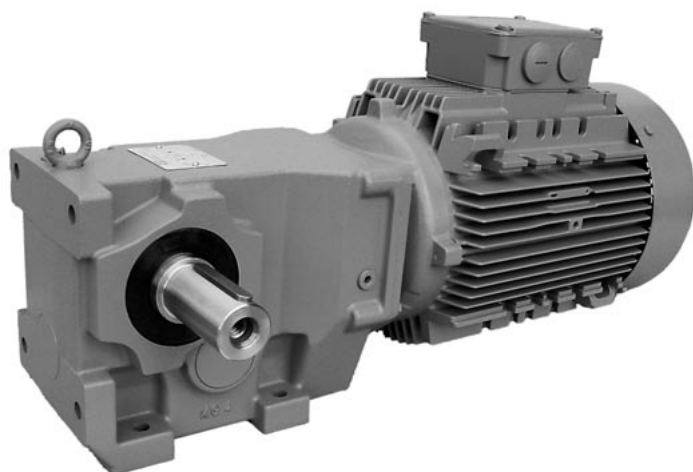
Helical Bevel Geared Motors K

KEB

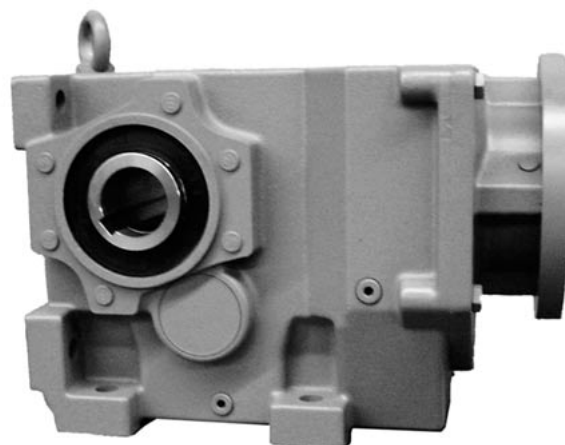
K3.3A DA100L4



K4.3AV DA132M4

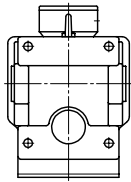
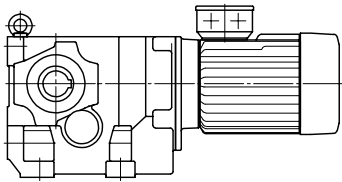


K5.3B -M IEC90B5

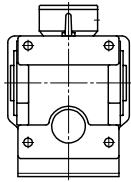
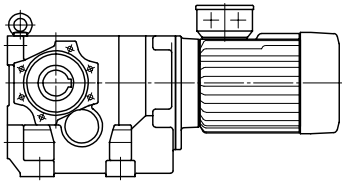


Helical Bevel Geared Motors K

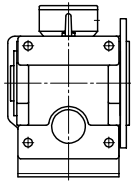
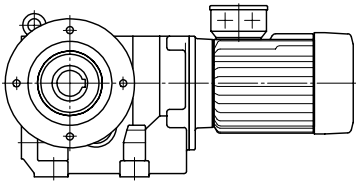
KEB



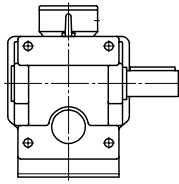
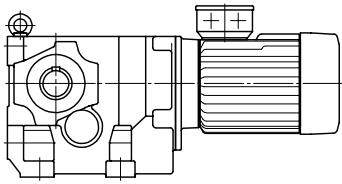
Foot mounted version
with hollow shaft and keyway
Example: K6.3**A** DA132M4



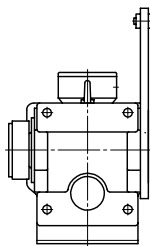
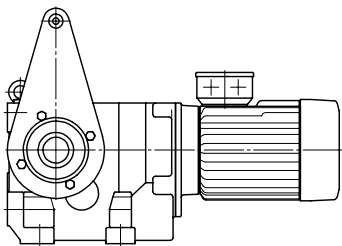
B14 Flange mounted version
with hollow shaft and keyway
Example: K4.4**B** DA80G4



B5 Flange mounted version
with hollow shaft and keyway
Example: K5.3**C** DA112M4



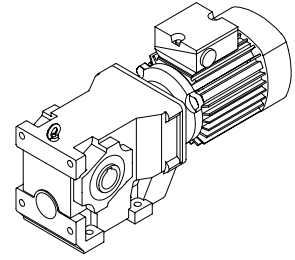
Foot mounted version
with solid shaft and key
Example: K7.3**AV** DA180M4



Shaft mounted version
with hollow shaft and shrink disc
with torque arm T1
Example: K6.3**BT1S** DA160M4

Helical Bevel Geared Motors K

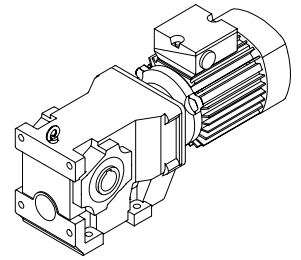
KEB



P	n ₂	M	cG	i	Fr	Fa	Type	Dimensions	Weight
[kW]	[1/min]	[Nm]			[N]	[N]		Page	[kg]
0.12	0.24	4750	0.9	5850.3	46000	420800	K7.4/G1.2A DL63K4	146/147	158
	0.27	4320	1.0	5317.2	46000	410000	K7.4/G1.2B DL63K4		158
	0.31	3720	1.1	4582.3	46000	393600	K7.4/G1.2C DL63K4		175
	0.34	3380	1.2	4164.8	46000	383300			
	0.38	2990	1.4	3682.7	46000	370300			
	0.42	2720	1.5	3347.1	46000	360500			
	0.47	2460	1.7	3021.3	46000	350300			
	0.51	2230	1.9	2746.0	46000	340900			
	0.59	1940	2.2	2390.0	46000	327700			
	0.65	1770	2.4	2172.2	46000	318900			
	0.71	1600	2.6	1972.9	46000	310200			
	0.79	1460	2.9	1793.1	46000	301800			
	0.39	2980	0.8	3661.3	21200	17500	K6.4/G1.2A DL63K4		145/147
0.42	2700	0.9	3327.7	21200	18100	K6.4/G1.2B DL63K4	102		
0.49	2330	1.1	2867.8	21200	19000	K6.4/G1.2C DL63K4	108		
0.54	2120	1.2	2606.5	21200	19500				
0.61	1870	1.3	2304.8	21200	20100				
0.67	1700	1.5	2094.8	21200	20500				
0.75	1540	1.6	1890.9	21200	20900				
0.82	1400	1.8	1718.6	21200	21200				
0.94	1220	2.1	1495.8	21200	21600				
1.0	1100	2.3	1359.5	21200	21900				
1.1	1000	2.5	1234.7	21200	22100				
1.3	910	2.7	1122.2	21200	22400				
0.76	1500	0.8	1844.7	15300	11800	K5.4/G1.2A DL63K4	144/147	63	
0.84	1360	0.9	1676.6	15300	12200	K5.4/G1.2B DL63K4		63	
0.93	1230	1.0	1513.4	15300	12600	K5.4/G1.2C DL63K4		67	
1.0	1120	1.1	1375.5	15300	12900				
1.2	975	1.2	1197.2	15300	13400				
1.3	885	1.4	1088.1	15300	13600				
1.4	805	1.5	988.23	15300	13900				
1.6	730	1.6	898.17	15300	14100				
1.9	610	2.0	752.41	15300	14400				
2.1	555	2.2	683.85	15300	14600				
2.4	480	2.5	589.34	15300	14800				
2.6	435	2.8	535.64	15300	15000				
2.0	580	2.1	713.09	15300	14500	K5.4A DL63K4		144	59
2.5	470	2.6	575.47	15300	14900	K5.4B DL63K4	59		
						K5.4C DL63K4	62		
1.4	830	0.8	1023.8	10300	8670	K4.3/G1.2A DL63K4	143/147	39	
1.5	750	0.9	924.10	10300	8950	K4.3/G1.2B DL63K4		39	
1.7	685	1.0	839.89	10300	9190	K4.3/G1.2C DL63K4		41	
1.9	595	1.1	731.01	10300	9510				
2.1	540	1.2	664.39	10300	9700				
2.3	490	1.3	603.43	10300	9870				
2.6	445	1.5	548.44	10300	10000				
3.1	375	1.7	459.44	10300	10300				
3.4	340	1.9	417.57	10300	10400				
3.9	290	2.2	359.86	10300	10600				
4.3	265	2.4	327.07	10300	10700				
2.2	530	1.1	655.04	10300	9720	K4.4A DL63K4		143	36
2.4	470	1.2	576.32	10300	9950	K4.4B DL63K4			36
3.0	375	1.5	463.43	10300	10300	K4.4C DL63K4	38		
3.7	315	1.8	386.19	10300	10500				
4.7	240	2.4	297.07	10300	10700				

Helical Bevel Geared Motors K

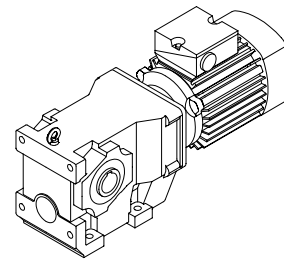
KEB



P	n ₂	M	cG	i	Fr	Fa	Type	Dimensions	Weight
[kW]	[1/min]	[Nm]			[N]	[N]		Page	[kg]
0.12									
2.6	445	0.8	544.86	6060	1770	K3.3/G1.2A DL63K4	142/147	28	
2.8	400	0.9	494.86	6060	1940	K3.3/G1.2B DL63K4		28	
3.1	365	0.9	449.76	6060	2100	K3.3/G1.2C DL63K4		30	
3.7	305	1.1	376.77	6060	2350				
4.1	280	1.2	342.44	6060	2470				
4.8	240	1.4	295.11	6060	2630				
5.3	220	1.6	268.22	6060	2730				
6.5	177	2.0	217.28	6060	2900	K3.4A DL63K4	142	26	
8.3	138	2.5	169.88	6060	3060	K3.4B DL63K4 K3.4C DL63K4		26 28	
21	55	4.3	67.56	6060	3420	K3.3A DL63K4	142	24	
25	46	5.9	56.30	6060	3460	K3.3B DL63K4		24	
32	36	9.4	43.85	6060	3500	K3.3C DL63K4		26	
40	29	11.9	35.56	6060	3530				
54	21	16.2	26.13	5660	3560				
67	17	20.1	21.08	5300	3580				
79	14	23.9	17.78	5020	3590				
106	11	31.8	13.33	4580	3600				
125	9.2	37.7	11.26	4340	3610				
0.18									
0.34	5080	0.8	4164.8	46000	377300	K7.4/G1.2A DL63G4	146/147	158	
0.38	4490	0.9	3682.7	46000	365000	K7.4/G1.2B DL63G4		158	
0.42	4080	1.0	3347.1	46000	355700	K7.4/G1.2C DL63G4		175	
0.47	3680	1.1	3021.3	46000	345900				
0.51	3350	1.3	2746.0	46000	337000				
0.59	2910	1.4	2390.0	46000	324300				
0.65	2650	1.6	2172.2	46000	315800				
0.71	2410	1.7	1972.9	46000	307400				
0.79	2190	1.9	1793.1	46000	299200				
0.94	1830	2.3	1502.1	46000	284600				
1.0	1660	2.5	1365.2	46000	277000				
1.2	1430	2.9	1176.5	46000	265400				
0.54	3180	0.8	2606.5	21200	17000	K6.4/G1.2A DL63G4	145/147	102	
0.61	2810	0.9	2304.8	21200	17900	K6.4/G1.2B DL63G4		102	
0.67	2550	1.0	2094.8	21200	18500	K6.4/G1.2C DL63G4		108	
0.75	2310	1.1	1890.9	21200	19100				
0.82	2100	1.2	1718.6	21200	19600				
0.94	1820	1.4	1495.8	21200	20200				
1.0	1660	1.5	1359.5	21200	20600				
1.1	1510	1.7	1234.7	21200	21000				
1.3	1370	1.8	1122.2	21200	21300				
1.5	1150	2.2	940.08	21200	21800				
1.7	1040	2.4	854.41	21200	22100				
1.9	900	2.8	736.33	21200	22400				
1.2	1460	0.8	1197.2	15300	11900	K5.4/G1.2A DL63G4	144/147	63	
1.3	1330	0.9	1088.1	15300	12300	K5.4/G1.2B DL63G4		63	
1.4	1200	1.0	988.23	15300	12700	K5.4/G1.2C DL63G4		67	
1.6	1100	1.1	898.17	15300	13000				
1.9	915	1.3	752.41	15300	13500				
2.1	835	1.4	683.85	15300	13800				
2.4	720	1.7	589.34	15300	14100				
2.6	655	1.8	535.64	15300	14300				
2.0	870	1.4	713.09	15300	13700	K5.4A DL63G4	144	59	
2.5	700	1.7	575.47	15300	14200	K5.4B DL63G4		59	
3.0	580	2.1	475.39	15300	14500	K5.4C DL63G4		62	
3.8	450	2.7	369.05	15300	14900				

Helical Bevel Geared Motors K

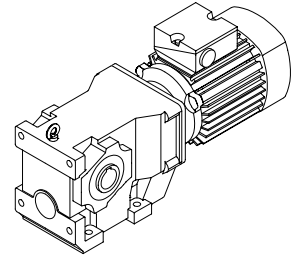
KEB



P	n2	M	cG	i	Fr	Fa	Type	Dimensions	Weight
[kW]	[1/min]	[Nm]			[N]	[N]		Page	[kg]
0.18	2.1	810	0.8	664.39	10300	8750	K4.3/G1.2A DL63G4	143/147	39
	2.3	735	0.9	603.43	10300	9010	K4.3/G1.2B DL63G4		39
	2.6	670	1.0	548.44	10300	9240	K4.3/G1.2C DL63G4		41
	3.1	560	1.2	459.44	10300	9630			
	3.4	510	1.3	417.57	10300	9810			
	3.9	440	1.5	359.86	10300	10100			
	4.3	400	1.6	327.07	10300	10200			
	2.4	705	0.8	576.32	10300	9120	K4.4A DL63G4	143	36
	3.0	565	1.0	463.43	10300	9610	K4.4B DL63G4		36
	3.7	470	1.2	386.19	10300	9940	K4.4C DL63G4		38
	4.7	360	1.6	297.07	10300	10300			
	6.8	255	2.3	207.95	10300	10700			
	8.3	210	2.8	170.60	10300	10900			
	4.1	415	0.8	342.44	6060	1880	K3.3/G1.2A DL63G4	142/147	28
	4.8	360	1.0	295.11	6060	2120	K3.3/G1.2B DL63G4		28
5.3	325	1.1	268.22	6060	2260	K3.3/G1.2C DL63G4	30		
6.5	265	1.3	217.28	6060	2530	K3.4A DL63G4	142	26	
8.3	205	1.7	169.88	6060	2770	K3.4B DL63G4		26	
10	169	2.0	138.27	6060	2930	K3.4C DL63G4		28	
14	125	2.8	102.72	6060	3120				
21	82	2.8	67.56	6060	3300	K3.3A DL63G4	142	24	
25	69	4.0	56.30	6060	3360	K3.3B DL63G4		24	
32	53	6.3	43.85	6060	3420	K3.3C DL63G4		26	
40	43	8.0	35.56	6060	3470				
54	32	10.8	26.13	5560	3510				
67	26	13.4	21.08	5210	3540				
79	22	15.9	17.78	4950	3560				
106	16	21.2	13.33	4530	3580				
125	14	25.1	11.26	4300	3590				
0.25	0.46	5210	0.8	3021.3	46000	342400	K7.4/G1.2A DL71K4	146/147	158
	0.50	4730	0.9	2746.0	46000	333900	K7.4/G1.2B DL71K4		158
	0.58	4120	1.0	2390.0	46000	321800	K7.4/G1.2C DL71K4		175
	0.64	3740	1.1	2172.2	46000	313600			
	0.70	3400	1.2	1972.9	46000	305500			
	0.77	3090	1.4	1793.1	46000	297700			
	0.92	2590	1.6	1502.1	46000	283500			
	1.0	2350	1.8	1365.2	46000	276000			
	1.2	2030	2.1	1176.5	46000	264800			
	1.3	1840	2.3	1069.3	46000	257800			
	0.73	3260	0.8	1890.9	21200	16800	K6.4/G1.2A DL71K4	145/147	102
	0.81	2960	0.8	1718.6	21200	17500	K6.4/G1.2B DL71K4		102
	0.93	2580	1.0	1495.8	21200	18400	K6.4/G1.2C DL71K4		108
	1.0	2340	1.1	1359.5	21200	19000			
	1.1	2130	1.2	1234.7	21200	19500			
1.2	1930	1.3	1122.2	21200	20000				
1.5	1620	1.5	940.08	21200	20700				
1.6	1470	1.7	854.41	21200	21000				
1.9	1270	2.0	736.33	21200	21500				
2.1	1150	2.2	669.23	21200	21800				
1.5	1550	0.8	898.17	15300	11700	K5.4/G1.2A DL71K4	144/147	63	
1.8	1300	0.9	752.41	15300	12400	K5.4/G1.2B DL71K4		63	
2.0	1180	1.0	683.85	15300	12700	K5.4/G1.2C DL71K4		67	
2.4	1020	1.2	589.34	15300	13200				
2.6	925	1.3	535.64	15300	13500				

Helical Bevel Geared Motors K

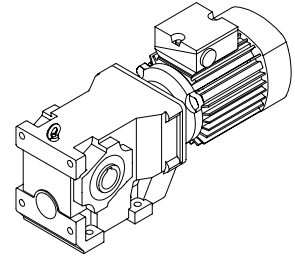
KEB



P	n ₂	M	cG	i	Fr	Fa	Type	Dimensions	Weight
[kW]	[1/min]	[Nm]			[N]	[N]		Page	[kg]
0.25									
1.9	1230	1.0	713.09	15300	12600	K5.4A DL71K4	144	59	
2.4	990	1.2	575.47	15300	13300	K5.4B DL71K4		59	
2.9	820	1.5	475.39	15300	13800	K5.4C DL71K4		62	
3.8	635	1.9	369.05	15300	14400				
4.6	520	2.4	300.25	15300	14700				
3.0	790	0.8	459.44	10300	8810	K4.3/G1.2A DL71K4	143/147	39	
3.3	720	0.9	417.57	10300	9060	K4.3/G1.2B DL71K4		39	
3.8	620	1.0	359.86	10300	9410	K4.3/G1.2C DL71K4		41	
4.2	565	1.2	327.07	10300	9610				
3.6	665	0.9	386.19	10300	9250	K4.4A DL71K4	143	36	
4.7	510	1.1	297.07	10300	9800	K4.4B DL71K4		36	
6.7	360	1.6	207.95	10300	10300	K4.4C DL71K4		38	
8.1	295	2.0	170.60	10300	10600				
10	235	2.5	134.96	10300	10800				
12	192	3.0	111.40	10300	10900				
6.4	375	0.9	217.28	6060	2060	K3.4A DL71K4	142	26	
8.2	295	1.2	169.88	6060	2410	K3.4B DL71K4		26	
10	240	1.4	138.27	6060	2640	K3.4C DL71K4		28	
13	177	1.9	102.72	6060	2900				
18	136	2.5	79.01	6060	3070				
21	116	2.0	67.56	6060	3160	K3.3A DL71K4	142	24	
25	97	2.8	56.30	6060	3240	K3.3B DL71K4		24	
32	76	4.4	43.85	6060	3330	K3.3C DL71K4		26	
39	61	5.6	35.56	5940	3390				
53	45	7.7	26.13	5460	3460				
66	36	9.5	21.08	5140	3500				
78	31	11.3	17.78	4890	3520				
104	23	15.0	13.33	4490	3550				
123	19	17.8	11.26	4270	3570				
0.37									
0.70	5050	0.8	1972.9	46000	300000	K7.4/G1.2A DL71G4	146/147	159	
0.77	4590	0.9	1793.1	46000	292700	K7.4/G1.2B DL71G4		159	
0.92	3850	1.1	1502.1	46000	279300	K7.4/G1.2C DL71G4		176	
1.0	3500	1.2	1365.2	46000	272300				
1.2	3010	1.4	1176.5	46000	261600				
1.3	2740	1.5	1069.3	46000	254900				
1.1	3160	0.8	1234.7	21200	17100	K6.4/G1.2A DL71G4	145/147	103	
1.2	2870	0.9	1122.2	21200	17700	K6.4/G1.2B DL71G4		103	
1.5	2410	1.0	940.08	21200	18800	K6.4/G1.2C DL71G4		108	
1.6	2190	1.1	854.41	21200	19400				
1.9	1890	1.3	736.33	21200	20100				
2.1	1710	1.5	669.23	21200	20500				
2.3	1510	0.8	589.34	15300	11800	K5.4/G1.2A DL71G4	144/147	64	
2.6	1370	0.9	535.64	15300	12200	K5.4/G1.2B DL71G4		64	
						K5.4/G1.2C DL71G4		68	
2.4	1470	0.8	575.47	15300	11900	K5.4A DL71G4	144	60	
2.9	1220	1.0	475.39	15300	12600	K5.4B DL71G4		60	
3.7	945	1.3	369.05	15300	13400	K5.4C DL71G4		63	
4.6	770	1.6	300.25	15300	14000				
6.4	550	2.2	214.46	15300	14600				
7.9	445	2.7	174.25	15300	14900				

Helical Bevel Geared Motors K

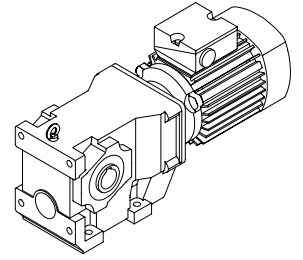
KEB



P	n ₂	M	cG	i	Fr	Fa	Type	Dimensions	Weight
[kW]	[1/min]	[Nm]			[N]	[N]		Page	[kg]
0.37	4.2	835	0.8	327.07	10300	8650	K4.3/G1.2A DL71G4 K4.3/G1.2B DL71G4 K4.3/G1.2C DL71G4	143/147	40 40 42
	6.6	530	1.1	207.95	10300	9720	K4.4A DL71G4	143	37
	8.1	435	1.3	170.60	10300	10100	K4.4B DL71G4		37
	10	345	1.7	134.96	10300	10400	K4.4C DL71G4		39
	12	285	2.0	111.40	10300	10600			
	16	215	2.7	84.82	10300	10800			
	8.1	435	0.8	169.88	6060	1800	K3.4A DL71G4	142	27
	10.0	355	1.0	138.27	6060	2150	K3.4B DL71G4		27
	13	265	1.3	102.72	6060	2530	K3.4C DL71G4		29
	17	200	1.7	79.01	6060	2790			
	20	173	1.4	67.56	6060	2920	K3.3A DL71G4	142	24
	25	144	1.9	56.30	6060	3040	K3.3B DL71G4		24
	31	112	3.0	43.85	5930	3170	K3.3C DL71G4		27
	39	91	3.8	35.56	5660	3260			
	53	67	5.2	26.13	5260	3370			
	65	54	6.4	21.08	4970	3420			
	78	46	7.6	17.78	4750	3460			
	104	34	10.1	13.33	4390	3510			
	123	29	12.0	11.26	4180	3530			
0.55	1.0	5160	0.8	1365.2	46000	265800	K7.4/G1.2A DA80K4	146/147	162
	1.2	4450	0.9	1176.5	46000	255900	K7.4/G1.2B DA80K4		162
	1.3	4040	1.0	1069.3	46000	249700	K7.4/G1.2C DA80K4		178
	1.3	3960	0.9	1049.0	46000	248400	K7.4A DA80K4	146	156
	1.6	3300	1.3	874.13	46000	236800	K7.4B DA80K4		156
	2.0	2570	1.6	680.90	46000	221400	K7.4C DA80K4		172
	2.5	2090	2.0	552.08	46000	209100			
	3.4	1530	2.7	405.78	46000	192000			
	1.6	3230	0.8	854.41	21200	16900	K6.4/G1.2A DA80K4	145/147	106
	1.9	2780	0.9	736.33	21200	18000	K6.4/G1.2B DA80K4		106
	2.1	2530	1.0	669.23	21200	18600	K6.4/G1.2C DA80K4		111
	2.1	2480	0.9	656.48	21200	18700	K6.4A DA80K4	145	102
	2.5	2070	1.2	547.07	21200	19600	K6.4B DA80K4		102
	3.3	1610	1.6	426.14	21200	20700	K6.4C DA80K4		107
	4.0	1310	1.9	345.52	21200	21400			
	5.5	960	2.6	253.95	21200	22200			
	3.8	1390	0.9	369.05	15300	12100	K5.4A DA80K4	144	63
	4.6	1130	1.1	300.25	15300	12900	K5.4B DA80K4		63
	6.5	810	1.5	214.46	15300	13800	K5.4C DA80K4		66
	8.0	660	1.9	174.25	15300	14300			
	9.6	550	2.2	145.43	15300	14600			
	13	420	2.9	110.65	15300	15000			
	8.1	645	0.9	170.60	10300	9330	K4.4A DA80K4	143	40
	10	510	1.1	134.96	10300	9800	K4.4B DA80K4		40
	12	420	1.4	111.40	10300	10100	K4.4C DA80K4		42
	16	320	1.8	84.82	10300	10500			
	21	250	2.3	66.44	10300	10700			
27	191	3.0	50.66	10300	10900				

Helical Bevel Geared Motors K

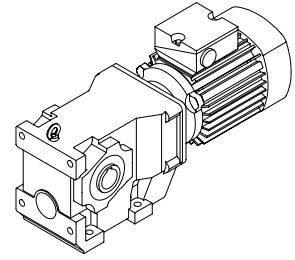
KEB



P	n ₂	M	cG	i	Fr	Fa	Type	Dimensions	Weight
[kW]	[1/min]	[Nm]			[N]	[N]		Page	[kg]
0.55	20	260	1.7	68.16	10300	10700	K4.3A DA80K4	143	37
	26	200	2.6	53.47	10300	10900	K4.3B DA80K4		37
							K4.3C DA80K4		39
	14	390	0.9	102.72	5510	2000	K3.4A DA80K4	142	30
	18	300	1.2	79.01	5610	2380	K3.4B DA80K4		30
							K3.4C DA80K4		32
	21	255	0.9	67.56	5600	2570	K3.3A DA80K4	142	27
	25	215	1.3	56.30	5540	2750	K3.3B DA80K4		27
	32	166	2.0	43.85	5390	2950	K3.3C DA80K4		30
	39	134	2.6	35.56	5220	3080			
	53	99	3.5	26.13	4930	3230			
	66	80	4.3	21.08	4710	3310			
	78	67	5.1	17.78	4530	3360			
	104	50	6.8	13.33	4220	3440			
	123	43	8.1	11.26	4040	3470			
0.75	1.3	5430	0.8	1069.3	46000	243600	K7.4/G1.2A DA80G4	146/147	164
							K7.4/G1.2B DA80G4		164
							K7.4/G1.2C DA80G4		180
	1.6	4440	0.9	874.13	46000	231700	K7.4A DA80G4	146	158
	2.1	3460	1.2	680.90	46000	217300	K7.4B DA80G4		158
	2.6	2800	1.5	552.08	46000	205600	K7.4C DA80G4		174
	3.5	2060	2.0	405.78	46000	189300			
	4.3	1660	2.5	327.31	46000	178400			
	5.1	1400	3.0	276.04	46000	170100			
	2.6	2780	0.9	547.07	21200	18000	K6.4A DA80G4	145	104
	3.3	2160	1.2	426.14	21200	19400	K6.4B DA80G4		104
	4.1	1760	1.4	345.52	21200	20400	K6.4C DA80G4		109
	5.6	1290	2.0	253.95	21200	21500			
	6.9	1040	2.4	204.84	21200	22100			
	8.2	880	2.9	172.76	21200	22400			
	4.7	1530	0.8	300.25	15300	11700	K5.4A DA80G4	144	65
	6.6	1090	1.1	214.46	15300	13000	K5.4B DA80G4		65
	8.1	885	1.4	174.25	15300	13600	K5.4C DA80G4		68
	9.7	740	1.7	145.43	15300	14100			
	13	560	2.2	110.65	15300	14600			
	16	445	2.7	87.57	15300	14900			
	10	685	0.8	134.96	10300	9180	K4.4A DA80G4	143	43
	13	565	1.0	111.40	10300	9610	K4.4B DA80G4		43
	17	430	1.3	84.82	10300	10100	K4.4C DA80G4		45
21	335	1.7	66.44	10300	10400				
28	255	2.2	50.66	9760	10700				
21	345	1.2	68.16	10300	10400	K4.3A DA80G4	143	39	
26	270	1.9	53.47	9860	10600	K4.3B DA80G4		39	
32	220	2.9	43.48	9460	10800	K4.3C DA80G4		41	
18	400	0.9	79.01	4560	1950	K3.4A DA80G4	142	32	
						K3.4B DA80G4		32	
						K3.4C DA80G4		34	

Helical Bevel Geared Motors K

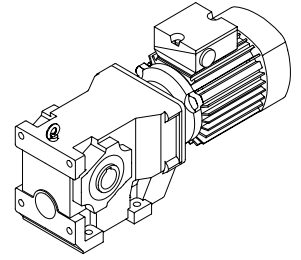
KEB



P	n ₂	M	cG	i	Fr	Fa	Type	Dimensions	Weight
[kW]	[1/min]	[Nm]			[N]	[N]		Page	[kg]
0.75	25	285	1.0	56.30	4790	2440	K3.3A DA80G4	142	29
	32	225	1.5	43.85	4800	2700	K3.3B DA80G4		29
	40	181	1.9	35.56	4740	2880	K3.3C DA80G4		32
	54	133	2.6	26.13	4570	3090			
	67	107	3.2	21.08	4420	3200			
	79	90	3.8	17.78	4280	3270			
	106	68	5.1	13.33	4030	3360			
	125	57	6.0	11.26	3870	3410			
1.1	2.0	5150	0.8	680.90	46000	212300	K7.4A DA90S4	146	159
	2.5	4170	1.0	552.08	46000	201700	K7.4B DA90S4		159
	3.4	3070	1.4	405.78	46000	186500	K7.4C DA90S4		176
	4.2	2470	1.7	327.31	46000	176300			
	5.0	2090	2.0	276.04	46000	168500			
	6.7	1560	2.7	207.03	46000	155800			
	3.3	3220	0.8	426.14	21200	16900	K6.4A DA90S4	145	105
	4.0	2610	1.0	345.52	21200	18400	K6.4B DA90S4		105
	5.5	1920	1.3	253.95	21200	20000	K6.4C DA90S4		111
	6.8	1550	1.6	204.84	21200	20900			
	8.0	1310	1.9	172.76	21200	21400			
	11	980	2.6	129.57	21200	22200			
	8.0	1320	0.9	174.25	15300	12300	K5.4A DA90S4	144	66
	9.6	1100	1.1	145.43	15300	13000	K5.4B DA90S4		66
	13	835	1.5	110.65	15300	13800	K5.4C DA90S4		70
	16	660	1.8	87.57	15200	14300			
17	610	2.0	80.42	15000	14400				
19	540	2.3	71.31	14700	14600				
23	450	2.7	59.71	14200	14900				
26	400	3.0	53.08	13800	15100				
16	640	0.9	84.82	9070	9340	K4.4A DA90S4	143	44	
21	500	1.2	66.44	9040	9830	K4.4B DA90S4		44	
						K4.4C DA90S4		46	
20	515	0.8	68.16	9050	9780	K4.3A DA90S4	143	40	
26	405	1.3	53.47	8900	10200	K4.3B DA90S4		40	
32	330	1.9	43.48	8680	10400	K4.3C DA90S4		42	
43	245	2.9	32.26	8270	10700				
32	330	1.0	43.85	3770	2240	K3.3A DA90S4	142	31	
39	270	1.3	35.56	3910	2510	K3.3B DA90S4		31	
53	198	1.7	26.13	3970	2810	K3.3C DA90S4		33	
66	159	2.2	21.08	3930	2970				
78	134	2.6	17.78	3870	3080				
104	101	3.4	13.33	3730	3220				
123	85	4.1	11.26	3620	3290				
158	67	5.2	8.82	3450	3370				
200	52	6.6	6.93	3280	3430				
268	39	8.8	5.18	3060	3480				
359	29	10.7	3.87	2830	3530				
1.5	3.5	4140	1.0	405.78	46000	182100	K7.4A DA90L4	146	161
	4.3	3340	1.3	327.31	46000	172600	K7.4B DA90L4		161
	5.1	2810	1.5	276.04	46000	165300	K7.4C DA90L4		178
	6.8	2110	2.0	207.03	46000	153300			
	8.0	1780	2.3	174.83	46000	146500			
	10	1400	3.0	136.96	46000	137100			

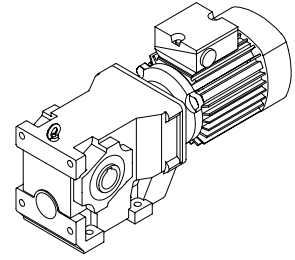
Helical Bevel Geared Motors K

KEB



P	n ₂	M	cG	i	Fr	Fa	Type	Dimensions	Weight
[kW]	[1/min]	[Nm]			[N]	[N]		Page	[kg]
1.5	5.5	2590	1.0	253.95	21200	18400	K6.4A DA90L4	145	107
	6.9	2090	1.2	204.84	21200	19600	K6.4B DA90L4		107
	8.1	1760	1.4	172.76	21200	20400	K6.4C DA90L4		113
	11	1320	1.9	129.57	21200	21400			
	13	1120	2.3	109.41	21200	21900			
	16	875	2.9	85.71	21200	22400			
	9.7	1480	0.8	145.43	13700	11800	K5.4A DA90L4	144	68
	13	1130	1.1	110.65	13900	12900	K5.4B DA90L4		68
	16	895	1.4	87.57	13800	13600	K5.4C DA90L4		72
	17	820	1.5	80.42	13700	13800			
	20	725	1.7	71.31	13500	14100			
	24	610	2.0	59.71	13200	14400			
	26	540	2.3	53.08	12900	14600			
	36	400	3.0	39.41	12200	15100			
	20	700	1.3	68.74	13400	14200	K5.3A DA90L4	144	63
	25	575	1.7	56.30	13100	14500	K5.3B DA90L4		63
	33	430	2.8	42.13	12400	15000	K5.3C DA90L4		67
	21	675	0.9	66.44	7650	9210	K4.4A DA90L4	143	46
							K4.4B DA90L4		46
							K4.4C DA90L4		48
	26	545	1.0	53.47	7770	9680	K4.3A DA90L4	143	42
	32	445	1.4	43.48	7760	10000	K4.3B DA90L4		42
	44	330	2.2	32.26	7580	10400	K4.3C DA90L4		44
	51	280	2.6	27.50	7430	10600			
63	225	2.4	22.26	7190	10800				
40	365	1.0	35.56	2970	2110	K3.3A DA90L4	142	33	
54	265	1.3	26.13	3270	2520	K3.3B DA90L4		33	
67	215	1.6	21.08	3370	2740	K3.3C DA90L4		35	
79	181	1.9	17.78	3400	2880				
105	136	2.5	13.33	3370	3070				
125	115	3.0	11.26	3320	3160				
159	90	3.8	8.82	3210	3270				
203	71	4.9	6.93	3080	3350				
271	53	6.5	5.18	2910	3430				
363	39	7.9	3.87	2720	3480				
2.2	5.0	4170	1.0	276.04	46000	161100	K7.4A DA100L4	146	163
	6.7	3130	1.3	207.03	46000	150200	K7.4B DA100L4		163
	8.0	2640	1.6	174.83	46000	144000	K7.4C DA100L4		180
	10	2070	2.0	136.96	46000	135200			
	13	1630	2.6	107.66	46000	126800			
	8.0	2610	1.0	172.76	19700	18400	K6.4A DA100L4	145	109
	11	1960	1.3	129.57	19900	19900	K6.4B DA100L4		109
	13	1650	1.5	109.41	19800	20600	K6.4C DA100L4		114
	16	1300	2.0	85.71	19400	21500			
	21	1020	2.5	67.38	18700	22100			
	16	1320	0.9	87.57	11200	12300	K5.4A DA100L4	144	70
							K5.4B DA100L4		70
							K5.4C DA100L4		73

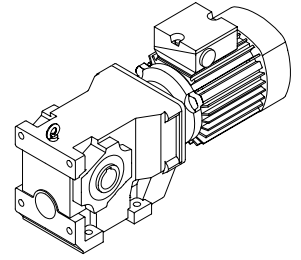
Helical Bevel Geared Motors K



P	n ₂	M	cG	i	Fr	Fa	Type	Dimensions	Weight
[kW]	[1/min]	[Nm]			[N]	[N]		Page	[kg]
2.2	20	1040	0.8	68.74	11500	13200	K5.3A DA100L4	144	65
	25	850	1.2	56.30	11500	13700	K5.3B DA100L4		65
	33	635	1.9	42.13	11200	14400	K5.3C DA100L4		68
	39	540	2.3	35.73	11000	14600			
	48	435	2.8	28.89	10600	15000			
	32	655	1.0	43.48	6150	9280	K4.3A DA100L4	143	44
	43	490	1.5	32.26	6390	9880	K4.3B DA100L4		44
	51	415	1.7	27.50	6420	10100	K4.3C DA100L4		46
	62	335	1.6	22.26	6380	10400			
	83	255	2.8	16.75	6210	10100			
	53	395	0.9	26.13	2040	1970	K3.3A DA100L4	142	35
	78	270	1.3	17.78	2560	2510	K3.3B DA100L4		35
	104	200	1.7	13.33	2740	2790	K3.3C DA100L4		37
	123	170	2.0	11.26	2790	2930			
	158	133	2.6	8.82	2800	3080			
200	105	3.3	6.93	2770	3210				
268	78	4.4	5.18	2670	3320				
359	58	5.3	3.87	2550	3400				
3.0	6.8	4210	1.0	207.03	46000	145700	K7.4A DA100LX4	146	170
	8.1	3550	1.2	174.83	46000	140100	K7.4B DA100LX4		170
	10	2780	1.5	136.96	46000	132000	K7.4C DA100LX4		187
	13	2190	1.9	107.66	46000	124300			
	18	1630	2.6	80.45	46000	115200			
	13	2250	1.2	110.79	46000	125200	K7.3A DA100LX4	146	159
	17	1680	1.8	82.81	46000	116100	K7.3B DA100LX4		159
	20	1440	2.6	70.98	46000	111400	K7.3C DA100LX4		176
	11	2630	1.0	129.57	16500	18300	K6.4A DA100LX4	145	116
	13	2220	1.1	109.41	16900	19300	K6.4B DA100LX4		116
	16	1740	1.5	85.71	17100	20400	K6.4C DA100LX4		122
	21	1370	1.9	67.38	16900	21300			
	28	1020	2.5	50.35	16400	22100			
	20	1410	1.2	69.34	16900	21200	K6.3A DA100LX4	145	106
	27	1050	1.8	51.83	16500	22000	K6.3B DA100LX4		106
	32	905	2.6	44.42	16100	22400	K6.3C DA100LX4		112
	25	1140	0.9	56.30	9610	12900	K5.3A DA100LX4	144	72
	33	855	1.4	42.13	9830	13700	K5.3B DA100LX4		72
	39	725	1.7	35.73	9810	14100	K5.3C DA100LX4		75
	49	585	2.1	28.89	9670	14500			
	63	455	2.7	22.44	9400	14900			
	44	655	1.1	32.26	5050	9200	K4.3A DA100LX4	143	51
	51	560	1.3	27.50	5270	9270	K4.3B DA100LX4		51
	63	450	1.2	22.26	5440	9170	K4.3C DA100LX4		53
	84	340	2.1	16.75	5500	8810			
	108	265	2.7	13.00	5430	8370			
	124	230	3.0	11.39	5360	8110			
	79	360	1.0	17.78	1630	2120	K3.3A DA100LX4		142
	106	270	1.3	13.33	2040	2500	K3.3B DA100LX4	41	
	125	230	1.5	11.26	2200	2680	K3.3C DA100LX4	43	
160	179	1.9	8.82	2340	2890				
203	141	2.4	6.93	2390	3050				
272	105	3.3	5.18	2390	3200				
365	79	4.0	3.87	2340	3320				

Helical Bevel Geared Motors K

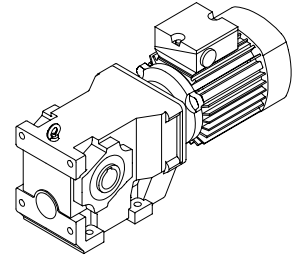
KEB



P	n ₂	M	cG	i	Fr	Fa	Type	Dimensions	Weight	
[kW]	[1/min]	[Nm]			[N]	[N]		Page	[kg]	
4.0	8.0	4770	0.9	174.83	46000	136100	K7.4A DA112M4	146	175	
	10	3740	1.1	136.96	46000	128900	K7.4B DA112M4		175	
	13	2940	1.4	107.66	46000	121900	K7.4C DA112M4		192	
	17	2200	1.9	80.45	46000	113400				
	13	3020	0.9	110.79	46000	122700	K7.3A DA112M4	146	164	
	17	2260	1.3	82.81	46000	114300	K7.3B DA112M4		164	
	20	1940	1.9	70.98	46000	109900	K7.3C DA112M4		181	
	24	1580	2.4	57.74	46000	104200				
	13	2990	0.8	109.41	13200	17500	K6.4A DA112M4	145	121	
	16	2340	1.1	85.71	14200	19000	K6.4B DA112M4		121	
	21	1840	1.4	67.38	14700	20200	K6.4C DA112M4		127	
	28	1370	1.8	50.35	14800	21300				
	20	1890	0.9	69.34	14600	20100	K6.3A DA112M4	145	111	
	27	1410	1.3	51.83	14800	21200	K6.3B DA112M4		111	
	32	1210	1.9	44.42	14700	21700	K6.3C DA112M4		117	
	39	985	2.4	36.14	14400	22200				
	33	1150	1.1	42.13	8100	12800	K5.3A DA112M4	144	77	
	39	975	1.3	35.73	8340	13400	K5.3B DA112M4		77	
	48	790	1.5	28.89	8500	13900	K5.3C DA112M4		80	
	62	610	2.0	22.44	8480	14000				
	79	485	2.5	17.78	8340	13200				
	43	880	0.8	32.26	3340	6210	K4.3A DA112M4	143	56	
	51	750	1.0	27.50	3820	6740	K4.3B DA112M4		56	
	63	605	0.9	22.26	4270	7170	K4.3C DA112M4		58	
84	455	1.6	16.75	4620	7370					
108	355	2.0	13.00	4750	7290					
123	310	2.2	11.39	4760	7190					
194	197	3.0	7.23	4630	6640					
105	365	0.9	13.33	1150	2110	K3.3A DA112M4	142	46		
124	305	1.1	11.26	1440	2350	K3.3B DA112M4		46		
159	240	1.4	8.82	1740	2630	K3.3C DA112M4		48		
202	189	1.8	6.93	1930	2850					
270	141	2.4	5.18	2050	3050					
362	106	3.0	3.87	2080	3200					
5.5	11	5000	0.8	136.96	46000	123300	K7.4A DA132S4 K7.4B DA132S4 K7.4C DA132S4	146	191 191 208	
	17	3020	1.0	82.81	46000	110500	K7.3A DA132S4		146	180
	20	2590	1.4	70.98	46000	106600	K7.3B DA132S4			180
	25	2110	1.8	57.74	46000	101400	K7.3C DA132S4	197		
	32	1620	2.4	44.50	46000	94900				
	17	3130	0.8	85.71	10100	17200	K6.4A DA132S4 K6.4B DA132S4 K6.4C DA132S4	145	137 137 143	
	28	1890	1.0	51.83	12200	20100	K6.3A DA132S4		145	127
	32	1620	1.4	44.42	12500	20700	K6.3B DA132S4			127
	40	1320	1.8	36.14	12600	21400	K6.3C DA132S4	132		
	52	1020	2.4	27.85	12500	21400				

Helical Bevel Geared Motors K

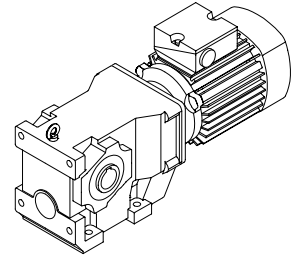
KEB



P	n ₂	M	cG	i	Fr	Fa	Type	Dimensions	Weight
[kW]	[1/min]	[Nm]			[N]	[N]		Page	[kg]
5.5	34	1540	0.8	42.13	5630	10300	K5.3A DA132S4	144	92
	40	1300	0.9	35.73	6240	11000	K5.3B DA132S4		
	50	1050	1.2	28.89	6780	11400	K5.3C DA132S4		
	64	820	1.5	22.44	7130	11500			
	81	650	1.9	17.78	7250	11300			
	104	505	2.4	13.87	7220	10900			
	122	430	2.8	11.78	7140	10500			
	86	610	1.2	16.75	3360	5410	K4.3A DA132S4	143	72
	111	475	1.5	13.00	3760	5780	K4.3B DA132S4		
	126	415	1.7	11.39	3890	5870	K4.3C DA132S4		
	172	305	2.3	8.37	4050	5870			
	211	250	2.9	6.82	4060	5770			
	280	188	3.8	5.14	3990	5530			
	372	141	5.1	3.87	3860	5230			
7.5	20	3530	1.0	70.98	46000	103200	K7.3A DA132M4	146	184
	25	2870	1.3	57.74	46000	98600	K7.3B DA132M4		
	32	2210	1.8	44.50	46000	92800	K7.3C DA132M4		
	43	1660	2.3	33.42	46000	86500		145	131
	51	1400	2.9	28.05	46000	82700			
	32	2210	1.0	44.42	9620	17800	K6.3A DA132M4		
	40	1800	1.3	36.14	10300	18200	K6.3B DA132M4		
	52	1390	1.8	27.85	10700	18100	K6.3C DA132M4		
	69	1040	2.3	20.91	10800	17400			
	82	875	2.9	17.56	10700	16900			
	50	1440	0.8	28.89	4470	7550	K5.3A DA132M4	144	97
	64	1120	1.1	22.44	5340	8540	K5.3B DA132M4		
	81	885	1.4	17.78	5840	9000	K5.3C DA132M4		
	104	690	1.8	13.87	6120	9140			
122	585	2.1	11.78	6200	9090				
169	425	2.9	8.53	6180	8770				
86	835	0.9	16.75	1640	3000	K4.3A DA132M4	143		
111	645	1.1	13.00	2430	3900	K4.3B DA132M4			
126	565	1.2	11.39	2720	4220	K4.3C DA132M4			
172	415	1.7	8.37	3190	4680				
211	340	2.1	6.82	3360	4810				
280	255	2.8	5.14	3470	4820				
372	192	3.7	3.87	3460	4700				
9.2	20	4360	0.8	70.98	46000	100500	K7.3A DA132MX4	146	188
	25	3550	1.1	57.74	46000	96500	K7.3B DA132MX4		
	32	2730	1.4	44.50	46000	91200	K7.3C DA132MX4		
	43	2050	1.8	33.42	46000	85300		145	135
	51	1720	2.3	28.05	46000	81700			
	32	2730	0.8	44.42	7140	13400	K6.3A DA132MX4		
	40	2220	1.1	36.14	8260	14700	K6.3B DA132MX4		
	51	1710	1.4	27.85	9150	15400	K6.3C DA132MX4		
	68	1280	1.8	20.91	9630	15500			
	81	1080	2.3	17.56	9730	15300			
	103	850	3.0	13.85	9700	14800			

Helical Bevel Geared Motors K

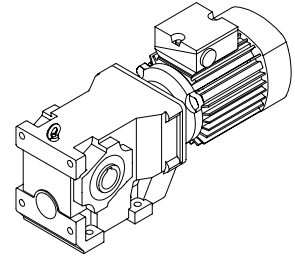
KEB



P	n ₂	M	cG	i	Fr	Fa	Type	Dimensions	Weight
[kW]	[1/min]	[Nm]			[N]	[N]		Page	[kg]
9.2	64	1380	0.9	22.44	3790	6180	K5.3A DA132MX4	144	101
	80	1090	1.1	17.78	4610	7140	K5.3B DA132MX4		101
	103	850	1.4	13.87	5170	7710	K5.3C DA132MX4		104
	121	725	1.7	11.78	5390	7890			
	168	525	2.3	8.53	5600	7930			
	207	425	2.9	6.90	5600	7790			
	110	800	0.9	13.00	1270	2360	K4.3A DA132MX4	143	81
	126	700	1.0	11.39	1710	2870	K4.3B DA132MX4		81
	171	515	1.4	8.37	2450	3690	K4.3C DA132MX4		83
	210	420	1.7	6.82	2760	4000			
278	315	2.3	5.14	3020	4220				
370	240	3.0	3.87	3130	4260				
11.0	25	4140	0.9	57.74	46000	93600	K7.3A DA160M4	146	207
	33	3190	1.2	44.50	46000	88800	K7.3B DA160M4		207
	44	2400	1.6	33.42	46000	83400	K7.3C DA160M4		224
	52	2010	2.0	28.05	46000	80000			
	66	1590	2.6	22.13	46000	75600			
	81	1290	2.7	18.03	46000	71800			
	41	2590	0.9	36.14	6300	11400	K6.3A DA160M4	145	154
	53	2000	1.2	27.85	7620	12900	K6.3B DA160M4		154
	70	1500	1.6	20.91	8460	13600	K6.3C DA160M4		160
	83	1260	2.0	17.56	8740	13700			
	106	995	2.6	13.85	8900	13500			
	130	810	2.7	11.28	8890	13200			
	82	1270	1.0	17.78	3420	5380	K5.3A DA160M4	144	118
	106	995	1.2	13.87	4230	6320	K5.3B DA160M4		118
	124	845	1.4	11.78	4590	6700	K5.3C DA160M4		122
	172	610	2.0	8.53	5000	7060			
	212	495	2.5	6.90	5110	7080			
	261	405	3.0	5.61	5130	6990			
289	365	3.3	5.07	5110	6920				
355	295	3.8	4.12	5030	6720				
15.0	44	3270	1.1	33.42	46000	80300	K7.3A DA160L4		146
	52	2740	1.5	28.05	46000	77400	K7.3B DA160L4	226	
	66	2160	1.9	22.13	46000	73500	K7.3C DA160L4	243	
	81	1760	2.0	18.03	45300	70100			
	107	1340	3.0	13.70	43000	65600			
	70	2040	1.1	20.91	5810	9550	K6.3A DA160L4	145	173
	83	1720	1.5	17.56	6510	10300	K6.3B DA160L4		173
	106	1350	1.9	13.85	7140	10900	K6.3C DA160L4		179
	130	1100	2.0	11.28	7460	11100			
	171	840	3.0	8.57	7620	11100			
	106	1360	0.9	13.87	2060	3300	K5.3A DA160L4	144	138
	124	1150	1.1	11.78	2740	4130	K5.3B DA160L4		138
	172	835	1.5	8.53	3670	5200	K5.3C DA160L4		141
	212	675	1.8	6.90	4030	5590			
261	550	2.2	5.61	4250	5790				
289	495	2.4	5.07	4320	5840				
355	405	2.8	4.12	4390	5850				

Helical Bevel Geared Motors K

KEB



P	n2	M	cG	i	Fr	Fa	Type	Dimensions	Weight	
[kW]	[1/min]	[Nm]			[N]	[N]		Page	[kg]	
18.5	44	4030	0.9	33.42	46000	77600	K7.3A DA180M4	146	252	
	52	3380	1.2	28.05	45700	75200	K7.3B DA180M4		252	
	66	2670	1.6	22.13	44700	71700	K7.3C DA180M4		269	
	81	2170	1.6	18.03	43500	68600				
	107	1650	2.4	13.70	41600	64400				
	70	2520	0.9	20.91	3480	6220	K6.3A DA180M4	145	199	
	83	2120	1.2	17.56	4560	7520	K6.3B DA180M4		199	
	106	1670	1.5	13.85	5610	8710	K6.3C DA180M4		204	
	130	1360	1.6	11.28	6210	9330				
	171	1030	2.4	8.57	6670	9720				
	124	1420	0.9	11.78	1130	1980	K5.3A DA180M4	144	163	
	172	1030	1.2	8.53	2490	3630	K5.3B DA180M4		163	
	212	830	1.5	6.90	3080	4320	K5.3C DA180M4		166	
	261	675	1.8	5.61	3480	4760				
	289	610	2.0	5.07	3620	4910				
355	495	2.3	4.12	3820	5100					
22.0	67	3150	1.3	22.13	42400	69800	K7.3A DA180L4	146	284	
	82	2570	1.4	18.03	41600	67100	K7.3B DA180L4		284	
	108	1950	2.1	13.70	40200	63200	K7.3C DA180L4		300	
	134	1570	2.7	11.01	38800	60200				
	166	1270	3.0	8.91	37300	57200				
	106	1970	1.3	13.85	4100	6610	K6.3A DA180L4	145	231	
	131	1610	1.4	11.28	4980	7620	K6.3B DA180L4		231	
	172	1220	2.1	8.57	5740	8410	K6.3C DA180L4		236	
	214	980	2.6	6.89	6080	8710				
	265	795	3.0	5.57	6250	8790				
	294	715	3.2	5.02	6290	8770				
	363	580	3.7	4.06	6290	8640				
	30.0	67	4300	1.0	22.13	37400	65800	K7.3A DA200L4	146	321
		82	3500	1.0	18.03	37500	63800	K7.3B DA200L4		321
		108	2660	1.5	13.70	37100	60700	K7.3C DA200L4		337
134		2140	2.0	11.01	36300	58100				
166		1730	2.2	8.91	35200	55500				
184		1560	2.3	8.02	34700	54200				
227		1260	2.7	6.49	33400	51600				
106		2690	0.9	13.85	610	1960	K6.3A DA200L4	145	268	
131		2190	1.0	11.28	2140	3790	K6.3B DA200L4		268	
172		1660	1.5	8.57	3580	5500	K6.3C DA200L4		273	
214		1340	1.9	6.89	4350	6370				
265		1080	2.2	5.57	4850	6910				
294		975	2.3	5.02	5030	7080				
363		790	2.7	4.06	5270	7280				

Helical Bevel Geared Motors K for very low Output Speeds



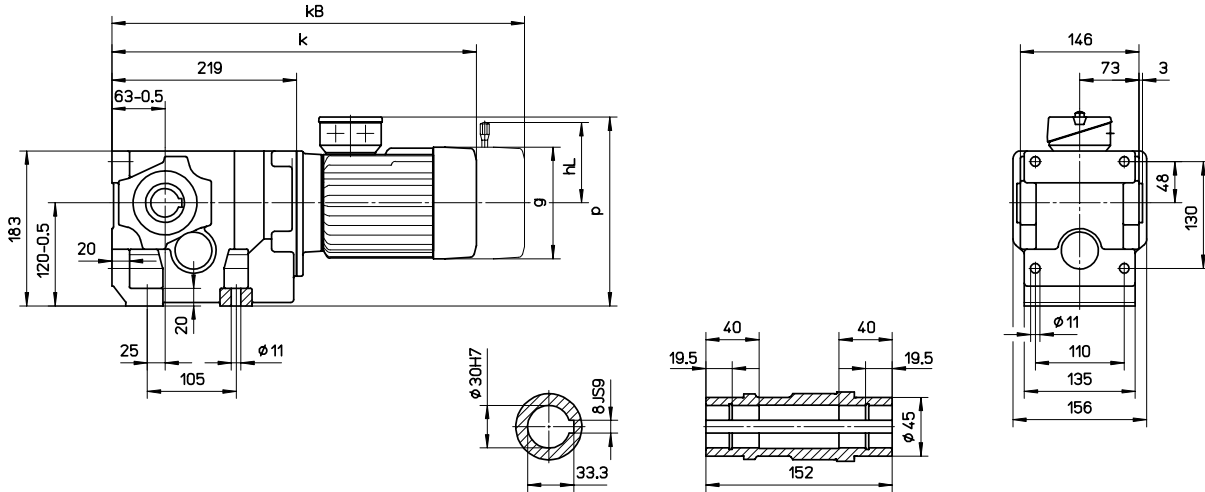
M	n2 Weight [Nm]	i	Type	Dimensions	
				Page	[kg]
345	0.38	3735.5	K3.3/G1.2A DL63K4	142/147	28
	0.42	3395.1	K3.3/G1.2B DL63K4		28
	0.43	3286.6	K3.3/G1.2C DL63K4		30
	0.48	2909.8			
	0.53	2644.6			
	0.55	2560.1			
	0.61	2326.8			
	0.68	2058.6			
	0.75	1871.0			
	0.82	1715.5			
	0.90	1559.2			
	1.1	1319.6			
	1.2	1199.4			
	1.5	923.73			
	1.7	839.56			
	1.9	757.84			
	2.0	688.78			
	2.4	599.48			
	650	0.31	4522.9	K4.3/G1.2A DL63K4	143/147
0.34		4110.8	K4.3/G1.2B DL63K4		39
0.35		3979.3	K4.3/G1.2C DL63K4		41
0.40		3548.1			
0.44		3224.8			
0.45		3121.7			
0.50		2837.3			
0.56		2510.2			
0.62		2281.5			
0.67		2091.9			
0.74		1901.3			
0.88		1609.1			
0.96		1462.5			
1.3		1126.4			
1200	0.045	31544	K5.4/G1.2A DL63K4	144/147	63
	0.049	28670	K5.4/G1.2B DL63K4		63
	0.051	27753	K5.4/G1.2C DL63K4		67
	0.058	24488			
	0.063	22257			
	0.065	21545			
	0.072	19582			
	0.081	17325			
	0.090	15746			
	0.098	14438			
	0.11	13122			
	0.13	11106			
	0.14	10094			
	0.18	7774.0			
	0.20	7065.6			
	0.22	6377.9			
	0.24	5796.7			
	0.28	5045.2			
	0.31	4585.5			
	0.34	4164.7			
0.37	3785.2				
0.44	3170.9				
0.49	2881.9				
0.57	2483.7				
0.62	2257.3				

M	n2 Weight [Nm]	i	Type	Dimensions	
				Page	[kg]
2500	0.039	36300	K6.4/G1.2A DL63K4	145/147	102
	0.043	32992	K6.4/G1.2B DL63K4		102
	0.044	31938	K6.4/G1.2C DL63K4		108
	0.050	28276			
	0.055	25699			
	0.057	24878			
	0.062	22611			
	0.070	20005			
	0.078	18182			
	0.085	16671			
	0.093	15152			
	0.11	12824			
	0.12	11655			
	0.16	8976.5			
	0.17	8158.5			
	0.19	7364.4			
	0.21	6693.3			
	0.24	5825.6			
	0.27	5294.7			
0.29	4808.8				
0.32	4370.6				
4200	0.024	58002	K7.4/G1.2A DL63K4	146/147	158
	0.027	52717	K7.4/G1.2B DL63K4		158
	0.028	51031	K7.4/G1.2C DL63K4		175
	0.031	45181			
	0.034	41063			
	0.035	39751			
	0.039	36128			
	0.044	31964			
	0.049	29052			
	0.053	26637			
	0.058	24210			
	0.069	20490			
	0.076	18623			
0.098	14343				
0.11	13036				
0.12	11767				
0.13	10695				
0.15	9308.3				
0.17	8460.1				
0.18	7683.8				
0.20	6983.6				

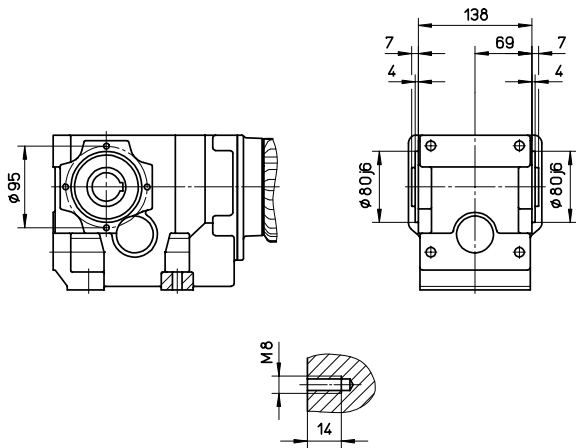
Helical Bevel Geared Motors K



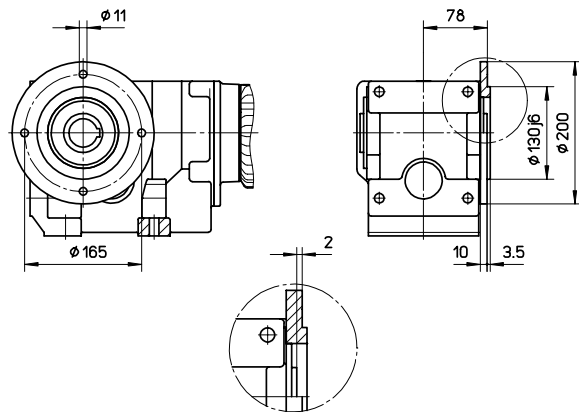
K3.3A, K3.4A Foot mounted version



K3.3B, K3.4B B14 Flange mounted version



K3.3C, K3.4C B5 Flange mounted version



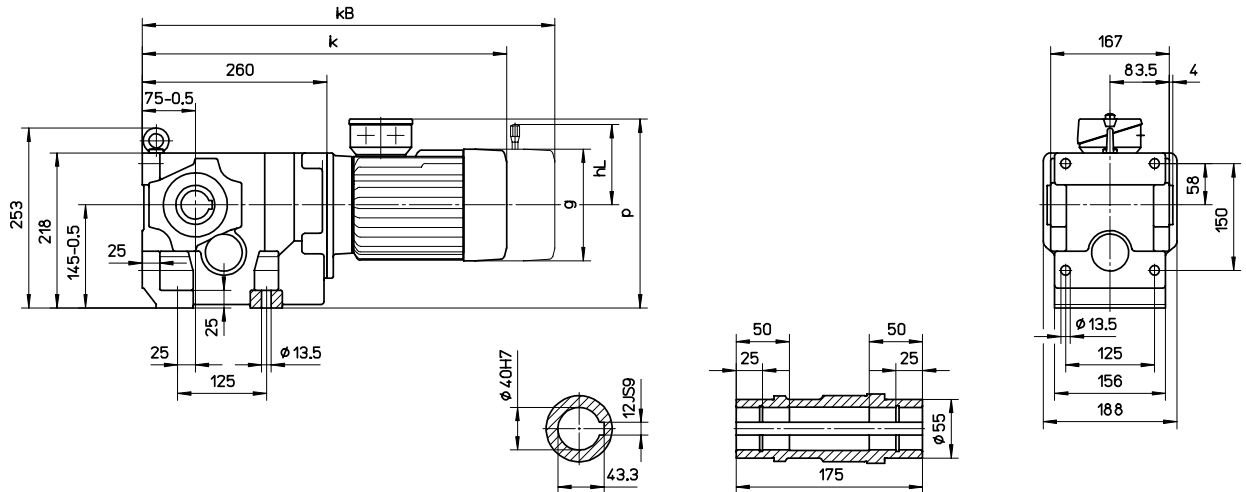
	k	kB	g	p	hL
K3.4_DL63/71	432	484	126	233	106
K3.3_DL63/71	405	457	126	233	106
K3.4_DA80	480	551	158	255	128
K3.3_DA80	453	524	158	255	128
K3.3_DA90S	453	524	158	255	128
K3.3_DA90L	500	565	176	269	168
K3.3_DA100L	500	565	176	269	168
K3.3_DA100LX	538	612	195	276	176
K3.3_DA112	538	612	195	276	176

Dimensions kB and hL apply to geared motors with brake.

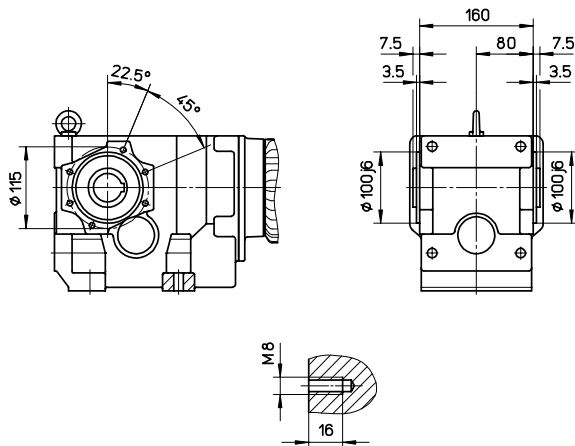
Helical Bevel Geared Motors K



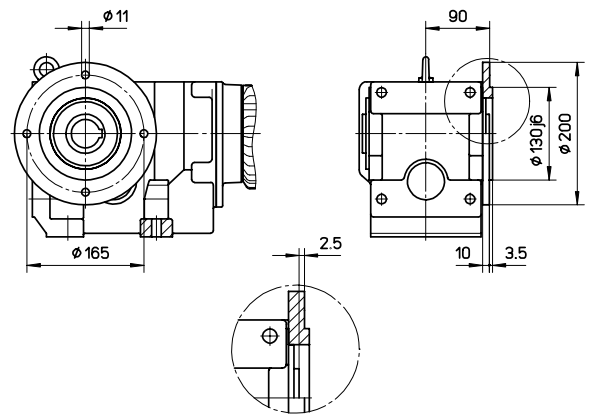
K4.3A, K4.4A Foot mounted version



K4.3B, K4.4B B14 Flange mounted version



K4.3C, K4.4C B5 Flange mounted version



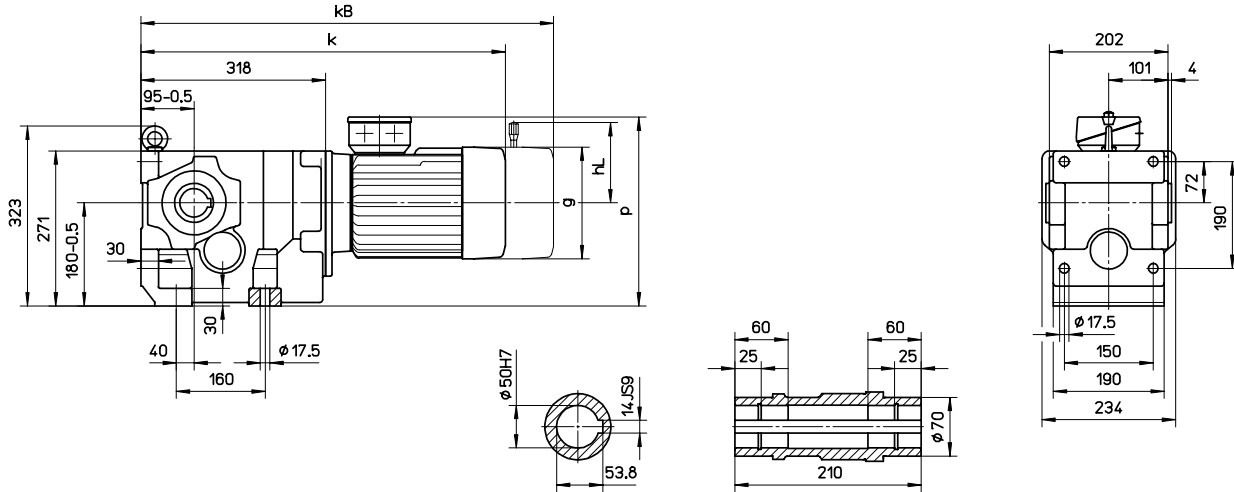
	k	kB	g	p	hL
K4.4_DL63/71	467	519	126	258	106
K4.3_DA80	488	559	158	280	128
K4.4_DA80	515	586	158	280	128
K4.3_DA90S	488	559	158	280	128
K4.3_DA90L	535	600	176	294	168
K4.4_DA90S	515	586	158	280	128
K4.4_DA90L	562	627	176	294	168
K4.3_DA100L	535	600	176	294	168
K4.3_DA100LX	573	647	195	301	176
K4.3_DA112	573	647	195	301	176
K4.3_DA132	677	776	245	333	225

Dimensions kB and hL apply to geared motors with brake.

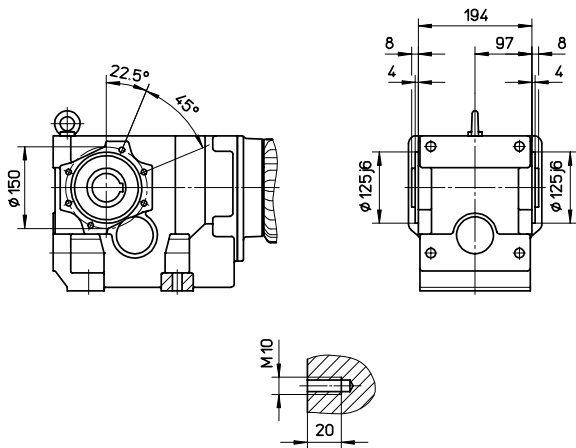
Helical Bevel Geared Motors K



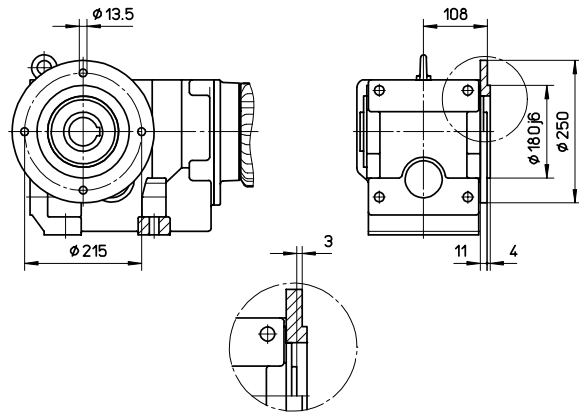
K5.3A, K5.4A Foot mounted version



K5.3B, K5.4B B14 Flange mounted version



K5.3C, K5.4C B5 Flange mounted version



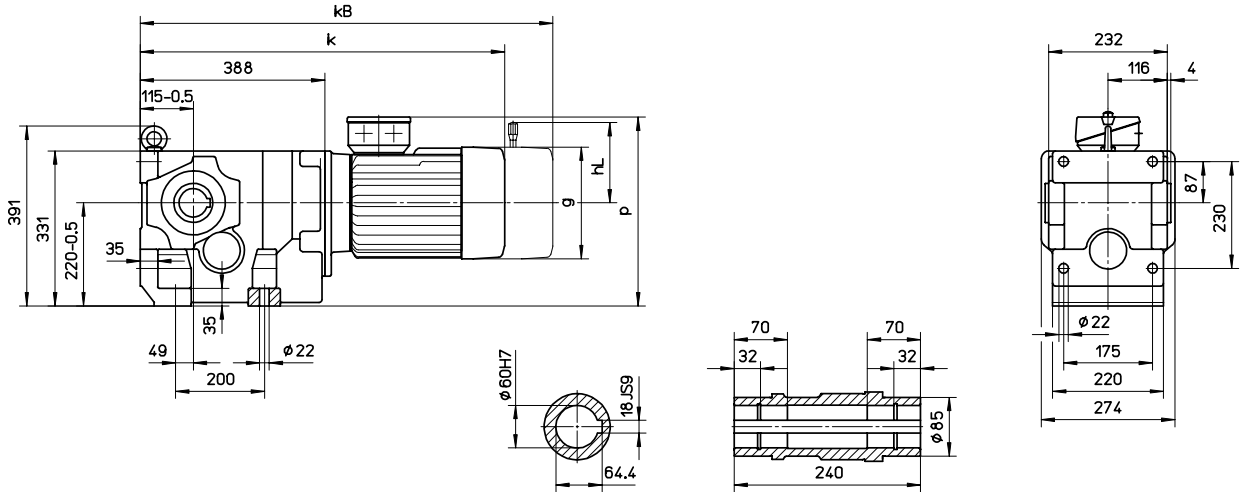
	k	kB	g	p	hL
K5.4_DL63/71	523	575	126	293	106
K5.4_DA80	572	643	158	315	128
K5.3_DA90L	585	650	176	329	168
K5.4_DA90S	572	643	158	315	128
K5.4_DA90L	619	683	176	329	168
K5.3_DA100L	585	650	176	329	168
K5.4_DA100L	619	683	176	329	168
K5.3_DA100LX	623	697	195	336	176
K5.3_DA112	623	697	195	336	176
K5.3_DA132	727	826	245	368	225
K5.3_DA160	851	971	311	430	256
K5.3_DA180M	851	971	311	430	256

Dimensions kB and hL apply to geared motors with brake.

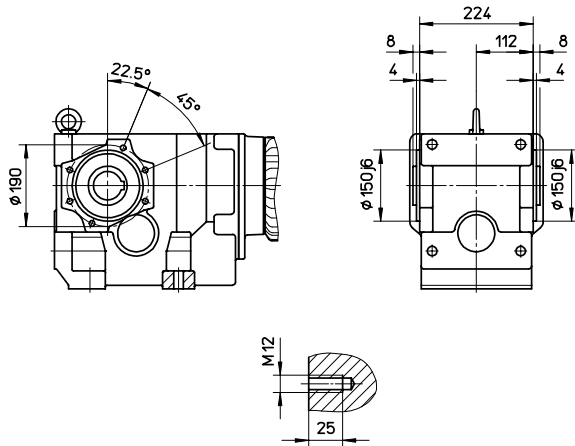
Helical Bevel Geared Motors K



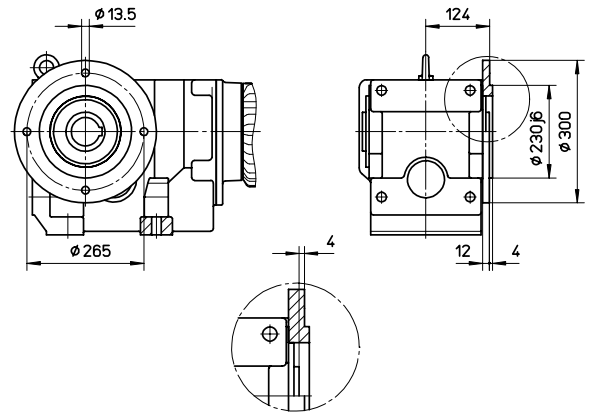
K6.3A, K6.4A Foot mounted version



K6.3B, K6.4B B14 Flange mounted version



K6.3C, K6.4C B5 Flange mounted version



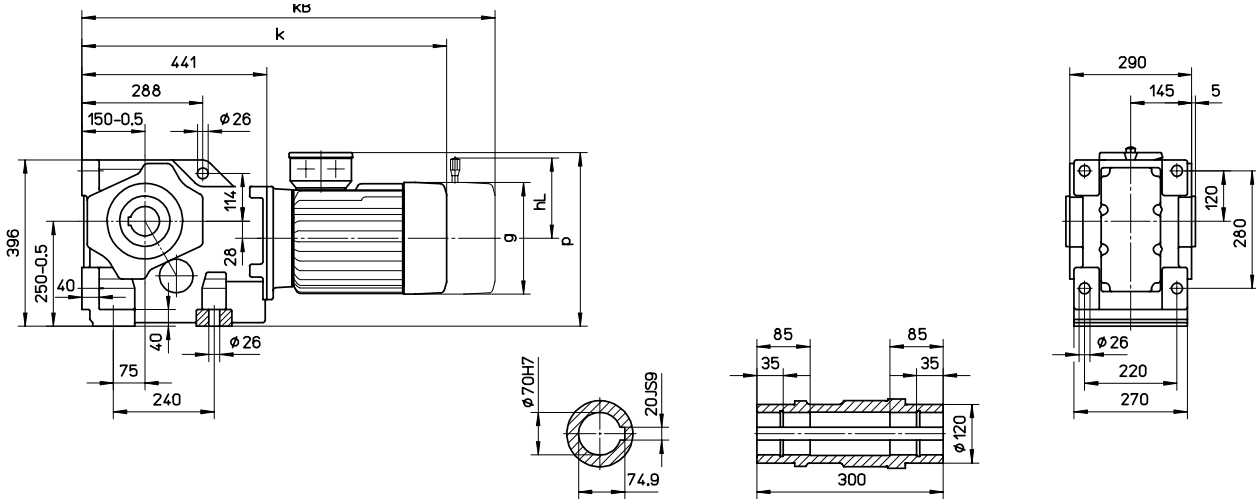
	k	kB	g	p	hL
K6.4_DA80	639	710	158	355	128
K6.4_DA90S	639	710	158	355	128
K6.4_DA90L	686	751	176	369	168
K6.4_DA100L	686	751	176	369	168
K6.3_DA100LX	685	759	195	376	176
K6.4_DA100LX	724	798	195	376	176
K6.3_DA112	685	759	195	376	176
K6.4_DA112	724	798	195	376	176
K6.3_DA132	789	888	245	408	225
K6.3_DA160	913	1033	311	470	256
K6.3_DA180M	913	1033	311	470	256
K6.3_DA180L	954	1093	356	511	335
K6.3_DA200L	954	1093	356	511	335

Dimensions kB and hL apply to geared motors with brake.

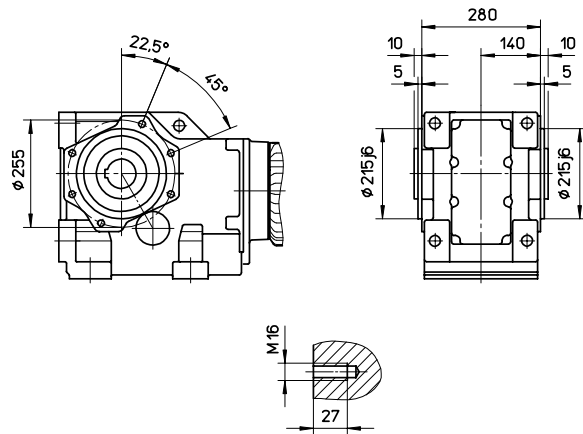
Helical Bevel Geared Motors K



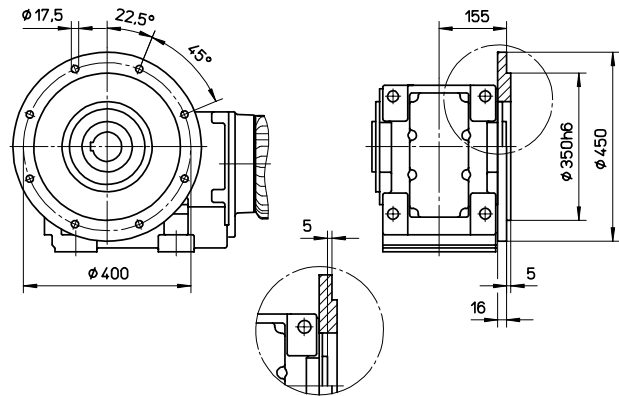
K7.3A, K7.4A Foot mounted version



K7.3B, K7.4B B14 Flange mounted version



K7.3C, K7.4C B5 Flange mounted version

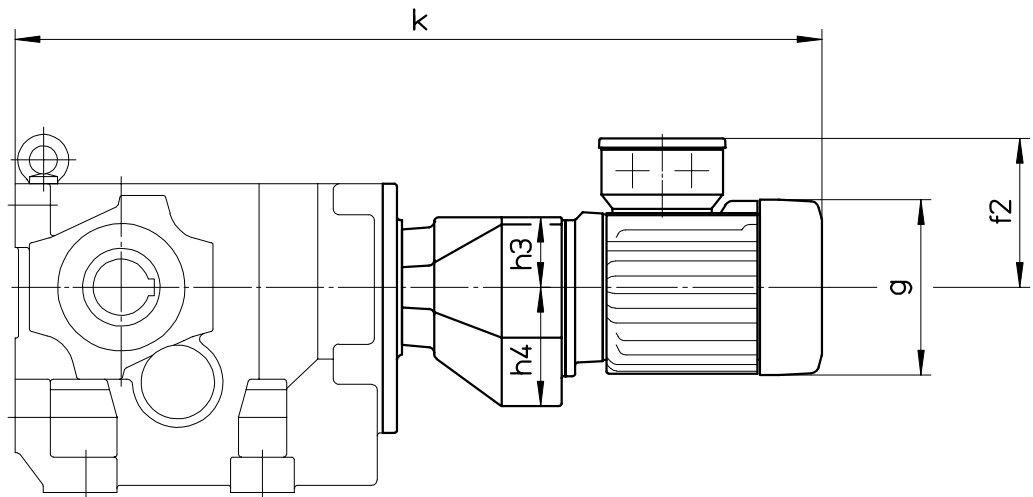


	k	kB	g	p	hL
K7.4_DA80	692	763	158	285	128
K7.4_DA90S	692	763	158	285	128
K7.4_DA90L	739	804	176	371	168
K7.4_DA100L	739	804	176	371	168
K7.3_DA100LX	738	812	195	376	176
K7.4_DA100LX	777	851	195	376	176
K7.3_DA112	738	812	195	376	176
K7.4_DA112	777	851	195	376	176
K7.3_DA132	842	941	245	408	225
K7.3_DA160	966	1086	311	470	256
K7.3_DA180M	966	1086	311	470	256
K7.3_DA180L	1007	1146	356	511	335
K7.3_DA200L	1007	1146	356	511	335

Dimensions kB and hL apply to geared motors with brake.

Helical Bevel Geared Motors K for very low Output Speeds

KEB

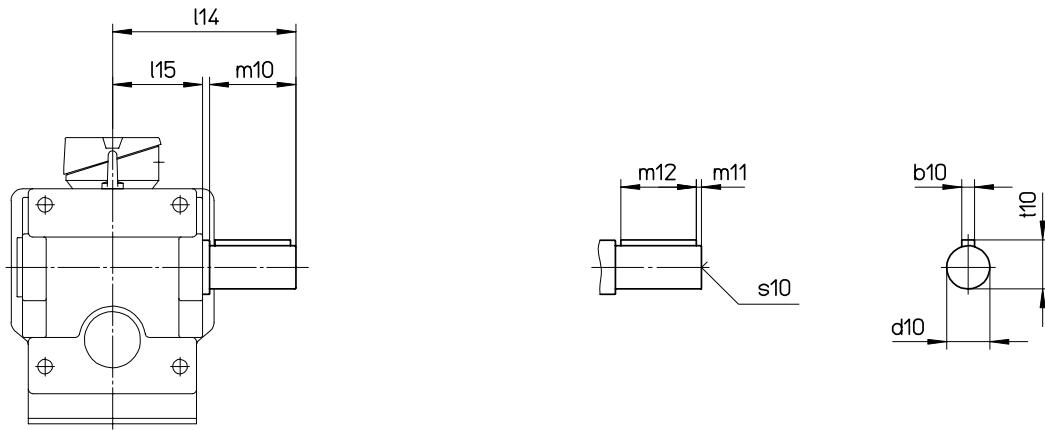


	k	g	f2	h3	h4
K3.3/G1.2A DL63/71	549	126	113	50	84
K4.3/G1.2A DL63/71	584	126	113	50	84
K5.4/G1.2A DL63/71	667	126	113	50	84
K6.4/G1.2A DL63/71	735	126	113	50	84
K6.4/G1.2A DA80	784	158	135	50	84
K7.4/G1.2A DL63/71	788	126	113	50	84
K7.4/G1.2A DA80	837	158	135	50	84

Helical Bevel Gear Units K

Version with Solid shaft

KEB

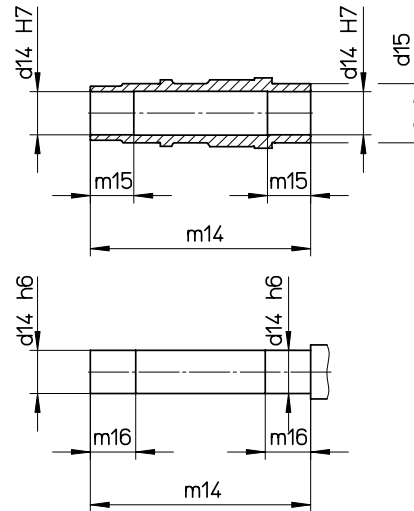
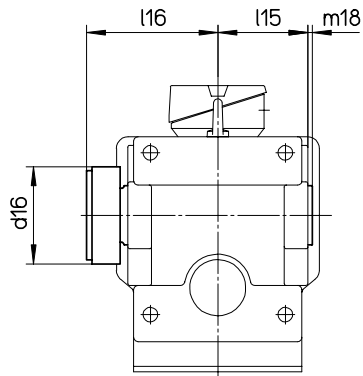


Gear	d10	m10	m11	m12	b10	t10	s10	l14	l15
K3	30	60	5	50	8	33	M10	139	73
K4	40	80	5	70	12	43	M16	170	83.5
K5	50	100	10	80	14	53.5	M16	208	101
K6	60	120	10	100	18	64	M20	244	116
K7	75	140	7.5	125	20	79.5	M20	295	145

Helical Bevel Gear Units K

Version with Hollow shaft and Shrink disc

KEB

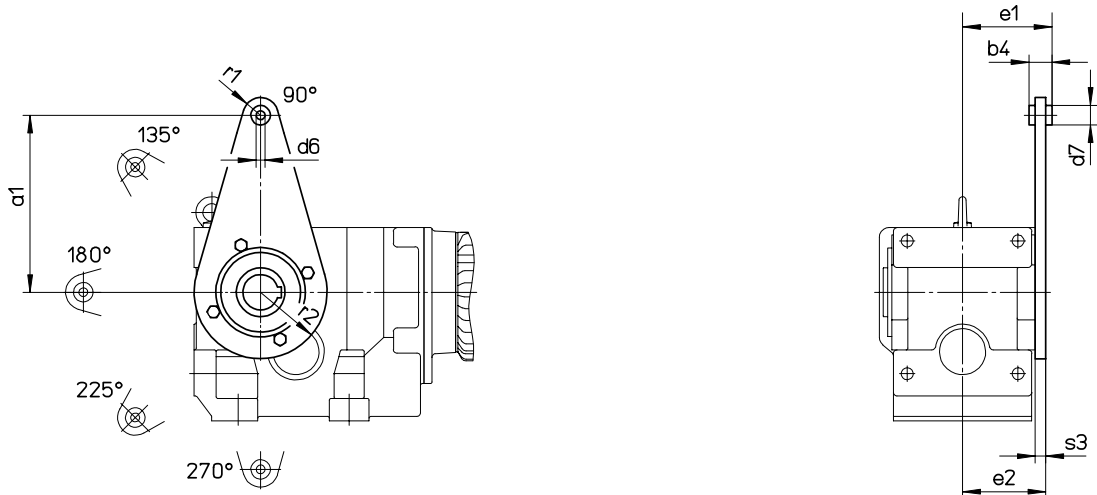


Gear	d14	d15	d16	m14	m15	m16	m18	l15	l16
K3	30	45	72	176	30	32	3	73	106
K4	40	55	90	204	40	42	4	83.5	122
K5	50	70	110	242	50	52	4	101	143
K6	60	85	138	272	60	62	4	116	159
K7	70	120	170	350	70	72	5	145	210

Helical Bevel Gear Units K

Torque arm T1

KEB



Gear	a_1	b_4	d_6	d_7	e_1	e_2	s_3	r_1	r_2
K3	160	22	11	32	84	77	8	20	65
K4	200	22	11	32	95	88	8	20	75
K5	250	32	17	40	117	105	8	28	97
K6	300	66	16	32	152.5	127	15	28	117
K7	350	96	24	42	198	160	20	36	150

Helical Bevel Gear Units K



i	M [Nm] cG=1	n2 [1/min] Pmax [kW]				Motoradapter -M					
		n1=2800	n1=1400	n1=930	n1=700	IEC	IEC	IEC	IEC	IEC	
K3.3						IEC	IEC	IEC	IEC	IEC	
67.56	235	41 1.0	21 0.51	14 0.34	10 0.25	71	80				S4C S4D
56.30	270	50 1.4	25 0.71	17 0.47	12 0.35	71	80	90			S4C S4D S4E
43.85	335	64 2.2	32 1.1	21 0.75	16 0.56	71	80	90	100	112	S4C S4D S4E
35.56	345	79 2.8	39 1.4	26 0.94	20 0.71	71	80	90	100	112	S4C S4D S4E
26.13	345	107 3.9	54 1.9	36 1.3	27 0.97	71	80	90	100	112	S4C S4D S4E
21.08	345	133 4.8	66 2.4	44 1.6	33 1.2	71	80	90			S4C S4D S4E
17.78	345	158 5.7	79 2.8	52 1.9	39 1.4	71	80	90	100	112	S4C S4D S4E
13.33	345	210 7.6	105 3.8	70 2.5	53 1.9	71	80	90	100	112	S4C S4D S4E
11.26	345	249 8.0	124 4.5	83 3.0	62 2.2	71	80	90	100	112	S4C S4D S4E
8.82	345	317 8.0	159 5.7	105 3.8	79 2.9			90	100	112	S4E
6.93	345	404 8.0	202 7.3	134 4.8	101 3.6			90	100	112	S4E
5.18	345	540 8.0	270 8.0	180 6.5	135 4.9			90	100	112	S4E
3.87	310	724 8.0	362 8.0	241 7.9	181 5.9			90	100	112	S4E
K3.4						IEC	IEC	IEC	IEC	IEC	
217.28	345	13 0.47	6.4 0.23	4.3 0.15	3.2 0.12	63	71	80	S4B	S4C	S4D
169.88	345	16 0.60	8.2 0.30	5.5 0.20	4.1 0.15	63	71	80	S4B	S4C	S4D
138.27	345	20 0.73	10 0.37	6.7 0.24	5.1 0.18	63	71	80	S4B	S4C	S4D
102.72	345	27 0.98	14 0.49	9.1 0.33	6.8 0.25	63	71	80	S4B	S4C	S4D
79.01	345	35 1.3	18 0.64	12 0.43	8.9 0.32	63	71	80	S4B	S4C	S4D
67.16	345	42 1.5	21 0.75	14 0.50	10 0.38	63	71	80	S4B	S4C	S4D
K4.3						IEC	IEC	IEC	IEC	IEC	
68.16	430	41 1.8	21 0.92	14 0.61	10 0.46	80	90				S4D S4E
53.47	530	52 2.9	26 1.4	17 0.96	13 0.72	80	90	100	112	132	S4D S4E S4F
43.48	635	64 4.3	32 2.1	21 1.4	16 1.1	80	90	100	112	132	S4D S4E S4F
32.26	715	87 6.5	43 3.3	29 2.2	22 1.6	80	90	100	112	132	S4D S4E S4F
27.50	715	102 7.6	51 3.8	34 2.5	25 1.9			90	100	112	S4E S4F
22.26	540	126 7.1	63 3.6	42 2.4	31 1.8	80	90	100	112	132	S4D S4E S4F
16.75	715	167 13	84 6.3	56 4.2	42 3.1	80	90	100	112	132	S4D S4E S4F
13.00	715	215 16	108 8.1	72 5.4	54 4.0			100	112	132	S4F
11.39	690	246 18	123 8.9	82 5.9	61 4.4		90	100	112	132	S4E S4F
8.37	715	334 18	167 13	111 8.3	84 6.3			100	112	132	S4F
7.23	595	387 18	194 12	129 8.0	97 6.0					132	S4F
6.82	715	410 18	205 15	136 10	103 7.7			100	112	132	S4F
5.44	535	515 18	257 14	171 9.6	129 7.2					132	S4F
5.14	715	545 18	272 18	181 14	136 10			100	112	132	S4F
4.10	460	683 18	342 17	227 11	171 8.3					132	S4F
3.87	715	724 18	362 18	240 18	181 14			100	112	132	S4F
K4.4						IEC	IEC	IEC	IEC		
655.04	580	4.3 0.26	2.1 0.13	1.4 0.09	1.1 0.06	63	71	80			S4B S4C S4D
576.32	580	4.9 0.29	2.4 0.15	1.6 0.10	1.2 0.07	63	71	80			S4B S4C S4D
463.43	580	6.0 0.37	3.0 0.18	2.0 0.12	1.5 0.09	63	71	80			S4B S4C S4D
386.19	580	7.3 0.44	3.6 0.22	2.4 0.15	1.8 0.11	63	71	80	90		S4B S4C S4D S4E
297.07	580	9.4 0.57	4.7 0.29	3.1 0.19	2.4 0.14	63	71	80	90		S4B S4C S4D S4E
207.95	580	13 0.81	6.7 0.41	4.5 0.27	3.4 0.20	63	71	80			S4B S4C S4D
170.60	580	16 0.99	8.2 0.50	5.5 0.33	4.1 0.25	63	71	80			S4B S4C S4D
134.96	580	21 1.3	10 0.63	6.9 0.42	5.2 0.31	63	71	80	90		S4B S4C S4D S4E
111.40	580	25 1.5	13 0.76	8.3 0.51	6.3 0.38	63	71	80	90		S4B S4C S4D S4E
84.82	580	33 2.0	17 1.00	11 0.66	8.3 0.50	63	71	80	90		S4B S4C S4D S4E
66.44	580	42 2.6	21 1.3	14 0.85	11 0.64	63	71	80	90		S4B S4C S4D S4E
50.66	580	55 3.0	28 1.7	18 1.1	14 0.84	63	71	80			S4B S4C S4D
36.46	580	77 3.0	38 2.3	26 1.5	19 1.2	63	71	80			S4B S4C S4D

Helical Bevel Gear Units K



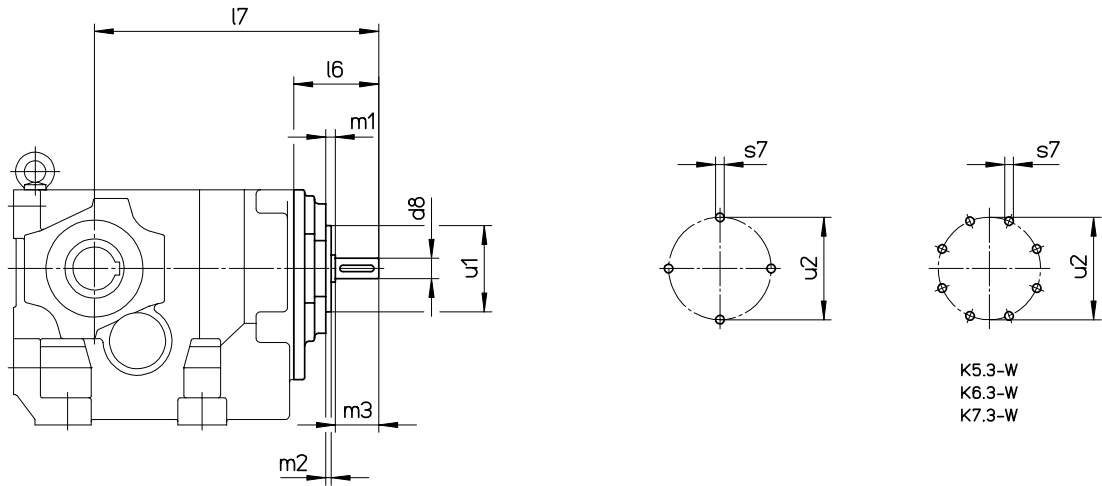
i	M [Nm] cG=1	n2 [1/min] Pmax [kW]				Motoradapter -M							
		n1=2800	n1=1400	n1=930	n1=700	IEC	IEC	IEC	IEC	IEC			
K5.3						IEC	IEC	IEC	IEC	IEC			
68.74	880	41 3.8	20 1.9	14 1.2	10 0.94	90	100	112			S4E		
56.30	990	50 5.2	25 2.6	17 1.7	12 1.3	90	100	112			S4E		
42.13	1220	66 8.5	33 4.2	22 2.8	17 2.1	90	100	112	132	160	S4E	S4F	
35.73	1220	78 10	39 5.0	26 3.3	20 2.5	90	100	112	132	160	S4E	S4F	
28.89	1220	97 12	48 6.2	32 4.1	24 3.1	90	100	112	132	160	S4E	S4F	
22.44	1220	125 16	62 8.0	41 5.3	31 4.0	90	100	112	132	160	S4E	S4F	
17.78	1220	157 20	79 10	52 6.7	39 5.0	90	100	112	132	160	S4E	S4F	
13.87	1220	202 26	101 13	67 8.6	50 6.4	90	100	112	132	160	S4E	S4F	
11.78	1220	238 30	119 15	79 10	59 7.6	90	100	112	132	160	S4E	S4F	
8.53	1220	328 37	164 21	109 14	82 10	90	100	112	132	160	S4E	S4F	
6.90	1220	406 37	203 26	135 17	101 13				132	160		S4F	
5.61	1220	499 37	249 32	166 21	125 16				132	160		S4F	
5.07	1210	553 37	276 35	184 23	138 17				132	160		S4F	
4.12	1130	679 37	340 37	226 27	170 20				132	160		S4F	
K5.4						IEC	IEC	IEC	IEC	IEC			
713.09	1200	3.9 0.50	2.0 0.25	1.3 0.16	0.98 0.12	71	80				S4C	S4D	
575.47	1220	4.9 0.62	2.4 0.31	1.6 0.21	1.2 0.16	71	80				S4C	S4D	
475.39	1220	5.9 0.75	2.9 0.38	2.0 0.25	1.5 0.19	71	80	90			S4C	S4D	S4E
369.05	1220	7.6 0.97	3.8 0.48	2.5 0.32	1.9 0.24	71	80	90	100	112	S4C	S4D	S4E
300.25	1220	9.3 1.2	4.7 0.60	3.1 0.40	2.3 0.30	71	80	90	100	112	S4C	S4D	S4E
214.46	1220	13 1.7	6.5 0.83	4.3 0.55	3.3 0.42	71	80				S4C	S4D	
174.25	1220	16 2.1	8.0 1.0	5.3 0.68	4.0 0.51	71	80	90			S4C	S4D	S4E
145.43	1220	19 2.5	9.6 1.2	6.4 0.82	4.8 0.61	71	80	90	100	112	S4C	S4D	S4E
110.65	1220	25 3.2	13 1.6	8.4 1.1	6.3 0.81	71	80	90			S4C	S4D	S4E
87.57	1220	32 4.1	16 2.0	11 1.4	8.0 1.0	71	80	90	100	112	S4C	S4D	S4E
80.42	1220	35 4.4	17 2.2	12 1.5	8.7 1.1			90				S4E	
71.31	1220	39 5.0	20 2.5	13 1.7	9.8 1.3	71	80	90	100	112	S4C	S4D	S4E
59.71	1220	47 6.0	23 3.0	16 2.0	12 1.5			90				S4E	
53.08	1220	53 6.7	26 3.4	18 2.2	13 1.7			90				S4E	
39.41	1220	71 8.0	36 4.5	24 3.0	18 2.3			90				S4E	
K6.3						IEC	IEC	IEC	IEC	IEC			
69.34	1680	40 7.1	20 3.6	13 2.4	10 1.8	100	112						
51.83	1870	54 11	27 5.3	18 3.5	14 2.6	100	112	132	160			S4F	
44.42	2310	63 15	32 7.6	21 5.1	16 3.8	100	112	132	160			S4F	
36.14	2400	77 19	39 9.7	26 6.5	19 4.9	100	112	132	160			S4F	
27.85	2470	101 26	50 13	33 8.6	25 6.5	100	112	132	160			S4F	
20.91	2340	134 33	67 16	44 11	33 8.2	100	112	132	160			S4F	
17.56	2500	159 42	80 21	53 14	40 10	100	112	132	160			S4F	
13.85	2540	202 54	101 27	67 18	51 13			132	160	180		S4F	
11.28	2200	248 57	124 29	82 19	62 14	100	112	132	160	180		S4F	
8.57	2520	327 60	163 43	109 29	82 22			132	160	180		S4F	
6.89	2540	406 60	203 54	135 36	102 27					180			
5.57	2400	502 60	251 60	167 42	126 32					180			
5.02	2260	558 60	279 60	185 44	140 33					180			
4.06	2120	690 60	345 60	229 51	172 38					180			

Helical Bevel Gear Units K



i	M [Nm] cG=1	n2 [1/min] Pmax [kW]				Motoradapter -M							
		n1=2800	n1=1400	n1=930	n1=700	IEC	IEC	IEC	IEC	IEC			
K6.4						IEC	IEC	IEC	IEC	IEC			
656.48	2270	4.3 1.0	2.1 0.51	1.4 0.34	1.1 0.25	80							S4D
547.07	2540	5.1 1.4	2.6 0.68	1.7 0.45	1.3 0.34	80	90						S4D S4E
426.14	2540	6.6 1.7	3.3 0.87	2.2 0.58	1.6 0.44	80	90	100	112	132			S4D S4E S4F
345.52	2540	8.1 2.2	4.1 1.1	2.7 0.71	2.0 0.54	80	90	100	112	132			S4D S4E S4F
253.95	2540	11 2.9	5.5 1.5	3.7 0.97	2.8 0.73	80	90	100	112	132			S4D S4E S4F
204.84	2540	14 3.6	6.8 1.8	4.5 1.2	3.4 0.91	80	90						S4D S4E
172.76	2540	16 4.3	8.1 2.2	5.4 1.4	4.1 1.1	80	90	100	112	132			S4D S4E S4F
129.57	2540	22 5.7	11 2.9	7.2 1.9	5.4 1.4	80	90	100	112	132			S4D S4E S4F
109.41	2540	26 6.8	13 3.4	8.5 2.3	6.4 1.7	80	90	100	112	132			S4D S4E S4F
85.71	2540	33 8.7	16 4.3	11 2.9	8.2 2.2		90	100	112	132			S4E S4F
67.38	2540	42 11	21 5.5	14 3.7	10 2.8		90	100	112	132			S4E S4F
50.35	2540	56 15	28 7.4	18 4.9	14 3.7		90	100	112	132			S4E S4F
K7.3						IEC	IEC	IEC	IEC	IEC			
110.79	2690	25 7.1	13 3.6	8.4 2.4	6.3 1.8	100	112						
82.81	2990	34 11	17 5.3	11 3.5	8.5 2.6	100	112	132	160				S4F
70.98	3690	39 15	20 7.6	13 5.1	9.9 3.8	100	112	132	160				S4F
57.74	3820	48 19	24 9.7	16 6.5	12 4.9	100	112	132	160				S4F
44.50	3940	63 26	31 13	21 8.6	16 6.5	100	112	132	160				S4F
33.42	3740	84 33	42 16	28 11	21 8.2	100	112	132	160				S4F
28.06	3990	100 42	50 21	33 14	25 10	100	112	132	160				S4F
22.13	4180	127 55	63 28	42 18	32 14			132	160	180			S4F
18.03	3520	155 57	78 29	52 19	39 14	100	112	132	160	180			S4F
13.70	4020	204 60	102 43	68 29	51 22			132	160	180			S4F
11.01	4170	254 60	127 56	84 37	64 28					180			
8.91	3840	314 60	157 60	104 42	79 32					180			
8.02	3620	349 60	175 60	116 44	87 33					180			
6.49	3400	432 60	216 60	143 51	108 38					180			
K7.4						IEC	IEC	IEC	IEC	IEC			
1049.0	3630	2.7 1.0	1.3 0.51	0.89 0.34	0.67 0.25	80							S4D
874.13	4180	3.2 1.4	1.6 0.70	1.1 0.47	0.80 0.35	80	90						S4D S4E
680.90	4180	4.1 1.8	2.1 0.90	1.4 0.60	1.0 0.45	80	90	100	112	132			S4D S4E S4F
552.08	4180	5.1 2.2	2.5 1.1	1.7 0.74	1.3 0.55	80	90	100	112	132			S4D S4E S4F
405.78	4180	6.9 3.0	3.5 1.5	2.3 1.0	1.7 0.75	80	90	100	112	132			S4D S4E S4F
327.31	4180	8.6 3.7	4.3 1.9	2.8 1.2	2.1 0.94	80	90						S4D S4E
276.04	4180	10 4.4	5.1 2.2	3.4 1.5	2.5 1.1	80	90	100	112	132			S4D S4E S4F
207.03	4180	14 5.9	6.8 3.0	4.5 2.0	3.4 1.5	80	90	100	112	132			S4D S4E S4F
174.83	4180	16 7.0	8.0 3.5	5.3 2.3	4.0 1.8	80	90	100	112	132			S4D S4E S4F
136.96	4180	20 9.0	10 4.5	6.8 3.0	5.1 2.2		90	100	112	132			S4E S4F
107.66	4180	26 11	13 5.7	8.6 3.8	6.5 2.8		90	100	112	132			S4E S4F
80.45	4170	35 15	17 7.6	12 5.1	8.7 3.8		90	100	112	132			S4E S4F

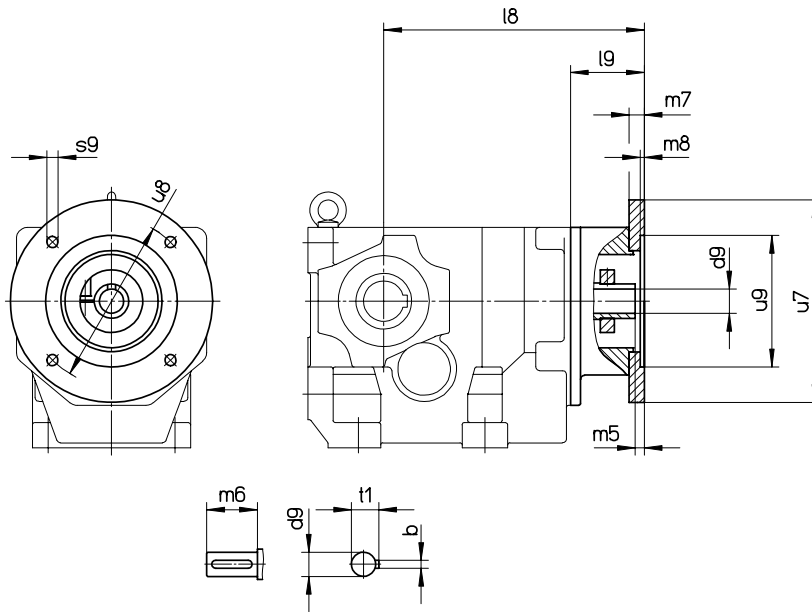
Helical Bevel Gear Units K



Gear	d8	m3	m1	m2	u1	u2	s7	l6	l7
K3.3-W	19	40	9	5	80	95	M8	84.5	239.5
K3.4-W	14	40	8	5	54	67	M6	94.5	249.5
K4.3-W	24	50	9	5	80	95	M8	88.5	273
K4.4-W	14	40	8	5	54	67	M6	89.5	274
K5.3-W	28	60	11	6	125	150	M10	119.5	341.5
K5.4-W	19	40	9	5	80	95	M8	104	326
K6.3-W	38	80	11	6	125	150	M10	131.5	404.5
K6.4-W	24	50	9	5	80	95	M8	114.5	384.5
K7.3-W	38	80	11	6	125	150	M10	131.5	422
K7.4-W	24	50	9	5	80	95	M8	114.5	402

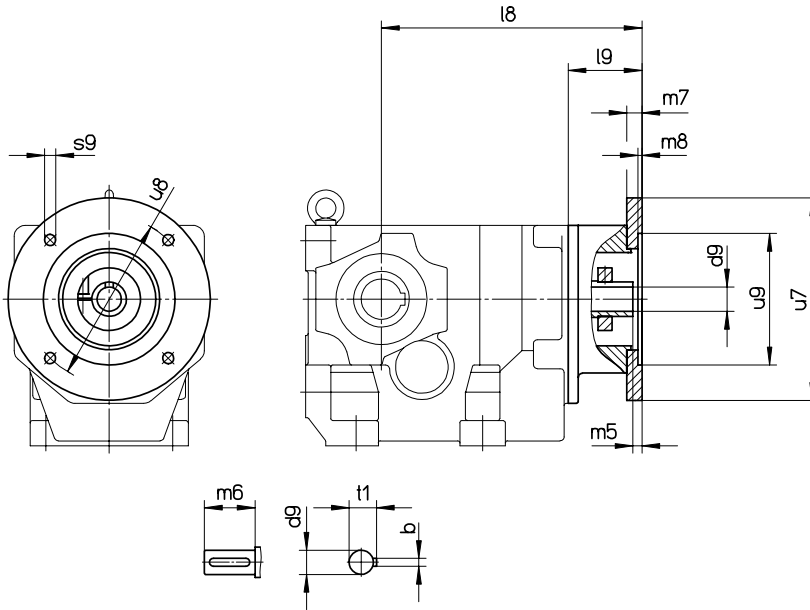
Helical Bevel Gear Units K with Adapter for IEC Motors

KEB



Gear	Adapter	u7	u8	u9	s9	d9	m6	b	t1	m5	m7	m8	l8	l9
K3.3	-M IEC71B14G	140	115	95	9	14	30	5	16	5	15	4	213.5	58.5
	-M IEC71B5	160	130	110	9							4.5		
	-M IEC80B14G	160	130	110	9	19	40	6	21.5	7	15	4.5	223.5	68.5
	-M IEC80B5	200	165	130	11							4.5		
	-M IEC90B14K	140	115	95	9	24	50	8	27	9	15	4	234.5	79.5
	-M IEC90B14G	160	130	110	9							4.5		
	-M IEC90B5	200	165	130	11	28	60	8	31	9	15	4.5	242.5	87.5
	-M IEC100B14K	160	130	110	9							4.5		
	-M IEC100B14G	200	165	130	11	28	60	8	31	9	15	4.5	242.5	87.5
	-M IEC100B5	250	215	180	14							5		
	-M IEC112B14K	160	130	110	9	28	60	8	31	9	15	4.5	242.5	87.5
-M IEC112B14G	200	165	130	11	4.5									
-M IEC112B5	250	215	180	14							5			
K3.4	-M IEC63B14G	120	100	80	7	11	23	4	12.5	4.5	12	4	201.5	46.5
	-M IEC63B5	140	115	95	9							4		
	-M IEC71B14G	140	115	95	9	14	30	5	16	5	12	4	205.5	50.5
	-M IEC71B5	160	130	110	9							4.5		
	-M IEC80B14K	120	100	80	7	19	40	6	21.5	7	12	4	214.5	59.5
	-M IEC80B14G	160	130	110	9							4.5		
-M IEC80B5	200	165	130	11							4.5			
K4.3	-M IEC80B14G	160	130	110	9	19	40	6	21.5	7	15	4.5	247.5	63
	-M IEC80B5	200	165	130	11							4.5		
	-M IEC90B14G	160	130	110	9	24	50	8	27	9	15	4.5	258.5	74
	-M IEC90B5	200	165	130	11							4.5		
	-M IEC100B14K	160	130	110	9	28	60	8	31	9	15	4.5	266.5	82
	-M IEC100B14G	200	165	130	11							4.5		
	-M IEC100B5	250	215	180	14							5		
	-M IEC112B14K	160	130	110	9	28	60	8	31	9	15	4.5	266.5	82
	-M IEC112B14G	200	165	130	11							4.5		
	-M IEC112B5	250	215	180	14							5		
	-M IEC132B5	300	265	230	14	38	80	10	41	13.5	15	5	290.5	106

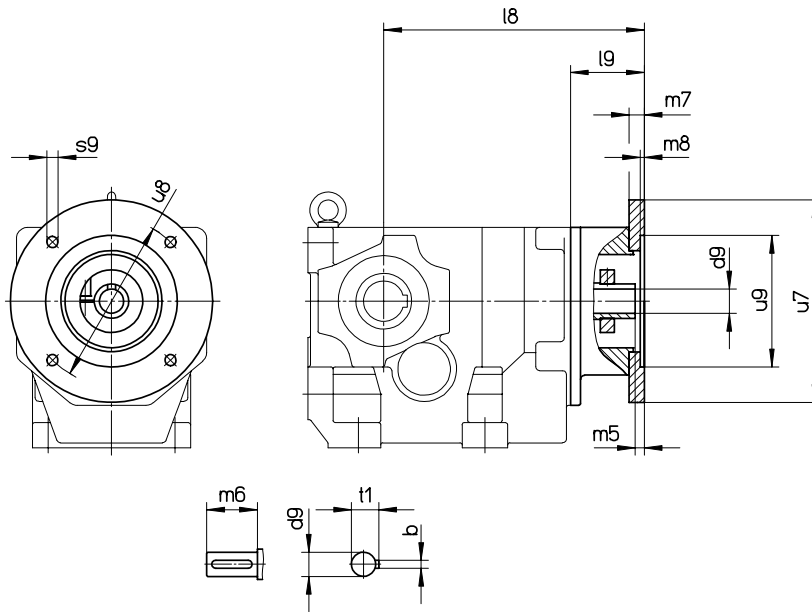
Helical Bevel Gear Units K with Adapter for IEC Motors



Gear	Adapter	u7	u8	u9	s9	d9	m6	b	t1	m5	m7	m8	l8	l9
K4.4	-M IEC63B14G	120	100	80	7	11	23	4	12.5	4.5	12	4	243	43
	-M IEC63B5	140	115	95	9							4		
	-M IEC71B14G	140	115	95	9	14	30	5	16	5	12	4	247	47
	-M IEC71B5	160	130	110	9							4.5		
	-M IEC80B14K	120	100	80	7	19	40	6	21.5	7	12	4	256	56
	-M IEC80B14G	160	130	110	9							4.5		
	-M IEC80B5	200	165	130	11	24	40	8	27	9	12	4.5	268.5	68.5
	-M IEC90B14K	140	115	95	9							4		
	-M IEC90B14G	160	130	110	9	24	40	8	27	9	12	4.5	268.5	68.5
	-M IEC90B5	200	165	130	11							4.5		
K5.3	-M IEC90B5	200	165	130	11	24	50	8	27	9	18	4.5	299.5	77.5
	-M IEC100B14G	200	165	130	11	28	60	8	31	9	18	4.5	309.5	87.5
	-M IEC100B5	250	215	180	14							5		
	-M IEC112B14G	200	165	130	11	28	60	8	31	9	18	4.5	309.5	87.5
	-M IEC112B5	250	215	180	14							5		
	-M IEC132B5	300	265	230	14	38	80	10	41	13.5	18	5	330.5	108.5
	-M IEC160B5	350	300	250	18	42	110	12	45	14	18	6	360.5	138.5
K5.4	-M IEC71B14G	140	115	95	9	14	30	5	16	5	15	4	300	58.5
	-M IEC71B5	160	130	110	9							4.5		
	-M IEC80B14G	160	130	110	9	19	40	6	21.5	7	15	4.5	310	68.5
	-M IEC80B5	200	165	130	11							4.5		
	-M IEC90B14K	140	115	95	9	24	50	8	27	9	15	4	321	79.5
	-M IEC90B14G	160	130	110	9							4.5		
	-M IEC90B5	200	165	130	11	28	60	8	31	9	15	4.5	329	87.5
	-M IEC100B14K	160	130	110	9							4.5		
	-M IEC100B14G	200	165	130	11	28	60	8	31	9	15	4.5	329	87.5
	-M IEC100B5	250	215	180	14							5		
	-M IEC112B14K	160	130	110	9	28	60	8	31	9	15	4.5	329	87.5
	-M IEC112B14G	200	165	130	11							4.5		
	-M IEC112B5	250	215	180	14							5		

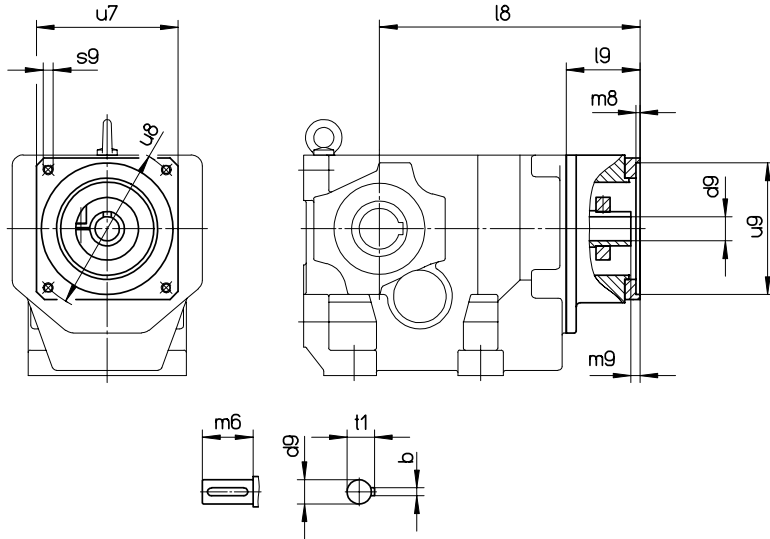
Helical Bevel Gear Units K with Adapter for IEC Motors

KEB



Gear	Adapter	u7	u8	u9	s9	d9	m6	b	t1	m5	m7	m8	l8	l9
K6.3	-M IEC100B5	250	215	180	14	28	60	8	31	9	20	5	353	80
	-M IEC112B5	250	215	180	14	28	60	8	31	9	20	5	353	80
	-M IEC132B5	300	265	230	14	38	80	10	41	13.5	20	5	375	102
	-M IEC160B5	350	300	250	18	42	110	12	45	14	20	6	405	132
	-M IEC180B5	350	300	250	18	48	110	14	51.5	17	20	6	405	132
K6.4	-M IEC80B14G	160	130	110	9		40	6	21.5	7	15	4.5	359	
	-M IEC80B5	200	165	130	11	19	40	6	21.5	7	15	4.5		63
	-M IEC90B14G	160	130	110	9		50	8	27	9	15	4.5	370	
	-M IEC90B5	200	165	130	11	24	50	8	27	9	15	4.5		74
	-M IEC100B14K	160	130	110	9							4.5		
	-M IEC100B14G	200	165	130	11	28	60	8	31	9	15	4.5	378	82
	-M IEC100B5	250	215	180	14							5		
	-M IEC112B14K	160	130	110	9							4.5		
	-M IEC112B14G	200	165	130	11	28	60	8	31	9	15	4.5	378	82
	-M IEC112B5	250	215	180	14							5		
	-M IEC132B5	300	265	230	14	38	80	10	41	13.5	15	5	402	106
	K7.3	-M IEC100B5	250	215	180	14	28	60	8	31	9	20	5	370.5
-M IEC112B5		250	215	180	14	28	60	8	31	9	20	5	370.5	80
-M IEC132B5		300	265	230	14	38	80	10	41	13.5	20	5	392.5	102
-M IEC160B5		350	300	250	18	42	110	12	45	14	20	6	422.5	132
-M IEC180B5		350	300	250	18	48	110	14	51.5	17	20	6	422.5	132
K7.4	-M IEC80B14G	160	130	110	9		40	6	21.5	7	15	4.5	376.5	63
	-M IEC80B5	200	165	130	11	19	40	6	21.5	7	15	4.5		
	-M IEC90B14G	160	130	110	9		50	8	27	9	15	4.5	387.5	74
	-M IEC90B5	200	165	130	11	24	50	8	27	9	15	4.5		
	-M IEC100B14K	160	130	110	9							4.5		
	-M IEC100B14G	200	165	130	11	28	60	8	31	9	15	4.5	395.5	82
	-M IEC100B5	250	215	180	14							5		
	-M IEC112B14K	160	130	110	9							4.5		
	-M IEC112B14G	200	165	130	11	28	60	8	31	9	15	4.5	395.5	82
	-M IEC112B5	250	215	180	14							5		
	-M IEC132B5	300	265	230	14	38	80	10	41	13.5	15	5	419.5	106

Helical Bevel Gear Units K with Adapter for Servo Motors



Gear	Adapter	u7	u8	u9	s9	d9	m6	b	t1	m5	m8	l8	l9
K3.3	-M S4C	92	100	80	M6	14	30	5	16	5	4	213.5	58.5
	-M S4D	110	115	95	M8	19	40	6	21.5	7	4	223.5	68.5
	-M S4E	140	165	130	M10	24	50	8	27	9	4.5	234.5	79.5
K3.4	-M S4B	70	75	60	M5	11	23	4	12.2	4.5	3.5	201.5	46.5
	-M S4C	92	100	80	M6	14	30	5	16	5	4	205.5	50.5
	-M S4D	110	115	95	M8	19	40	6	21.5	7	4	214.5	59.5
K4.3	-M S4D	110	115	95	M8	19	40	6	21.5	7	4	247.5	63
	-M S4E	140	165	130	M10	24	50	8	27	9	4.5	258.5	74
	-M S4F	190	215	180	M12	32	58	10	35	9	5	266.5	82
K4.4	-M S4B	70	75	60	M5	11	23	4	12.2	4.5	3.5	243	43
	-M S4C	92	100	80	M6	14	30	5	16	5	4	247	47
	-M S4D	110	115	95	M8	19	40	6	21.5	7	4	256	56
	-M S4E	140	165	130	M10	24	50	8	27	9	4.5	268.5	68.5
K5.3	-M S4E	140	165	130	M10	24	50	8	27	9	4.5	299.5	77.5
	-M S4F	190	215	180	M12	32	58	10	35	9	5	309.5	87.5
K5.4	-M S4C	92	100	80	M6	14	30	5	16	5	4	300	58.5
	-M S4D	110	115	95	M8	19	40	6	21.5	7	4	310	68.5
	-M S4E	140	165	130	M10	24	50	8	27	9	4.5	321	79.5
K6.3	-M S4F	190	215	180	M12	32	58	10	35	9	5	353	80
K6.4	-M S4D	110	115	95	M8	19	40	6	21.5	7	4	359	63
	-M S4E	140	165	130	M10	24	50	8	27	9	4.5	370	74
	-M S4F	190	215	180	M12	32	58	10	35	9	5	378	82
K7.3	-M S4F	190	215	180	M12	32	58	10	35	9	5	370.5	80
K7.4	-M S4D	110	115	95	M8	19	40	6	21.5	7	4	376.5	63
	-M S4E	140	165	130	M10	24	50	8	27	9	4.5	387.5	74
	-M S4F	190	215	180	M12	32	58	10	35	9	5	395.5	82